
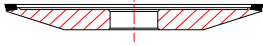


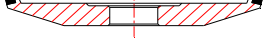


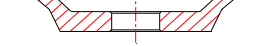
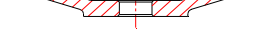
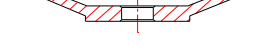


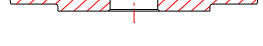



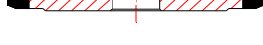


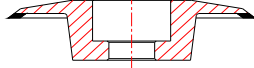
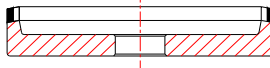
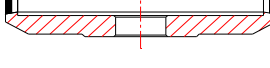
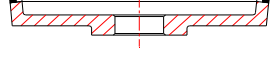
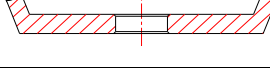
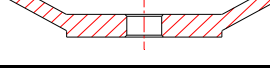

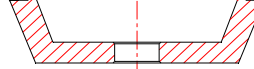
INDICE GENERALE

| TIPO <i>TYPE</i> | FORMA <i>SHAPE</i> | PAGINA <i>PAGE</i> |
|---------------------|--------------------|-----------------------|
| 1A1W 1A1 | | 1 |
| 4A2 | | 2 |
| 12A2 20° | | 2 |
| 12A2 30° | | 3 |
| 12A2 45° | | 3 |
| 16A2 | | 5 |
| 11A2 | | 4 |
| 6A2 | | 4 |
| 6A9 | | 5 |
| 4BT9 | | 9 |
| 4ET9 | | 9 |
| 4V2 | | 7 |
| 11V2 20° | | 7 |
| 12V2 60° | | 8 |
| 11V9 | | 6 |
| 12V9 | | 6 |
| 9A3 | | 8 |

GENERAL INDEX

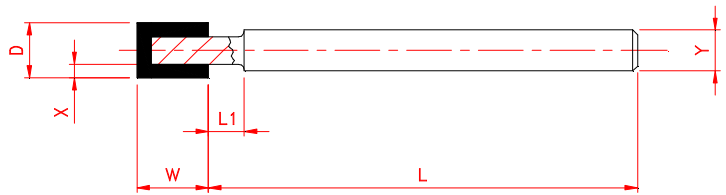
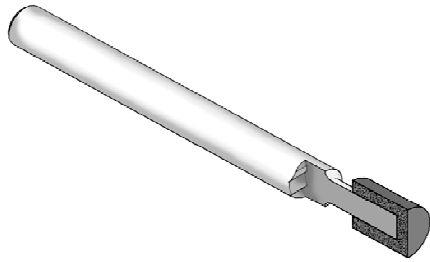
| TIPO <i>TYPE</i> | FORMA <i>SHAPE</i> | PAGINA <i>PAGE</i> |
|---------------------|--------------------|-----------------------|
| 1A1R | | 10 |
| 14A1R | | 10 |
| 1A1 | | 11 |
| 14A1 | | 11 |
| 14F1 | | 12 |
| 1FF1 | | 12 |
| 1V1 | | 14 |
| 1EE1 | | 13 |
| 14E1 | | 13 |
| | | |
| | | |
| | | |
| | | |
| | | |
| | | |
| | | |
| | | |
| | | |
| | | |
| | | |
| | | |
| | | |
| | | |
| | | |
| | | |
| | | |
| | | |
| | | |

| TIPO TYPE | FORMA SHAPE | PAGINA PAGE |
|--------------|---|----------------|
| W01 |  | 16 |
| W02 |  | 16 |
| W03 |  | 16 |
| W04 |  | 16 |
| W05 |  | 17 |
| W06 |  | 17 |
| W07 |  | 17 |
| W08 |  | 17 |
| W09 |  | 18 |
| W10 |  | 18 |
| W11 |  | 18 |
| W12 |  | 18 |
| W13 |  | 19 |
| W14 |  | 19 |
| W15 |  | 19 |
| | | |
| W16 |  | 20 |
| W17 |  | 20 |

| TIPO TYPE | FORMA SHAPE | PAGINA PAGE |
|---|---|----------------|
| W19 |  | 20 |
| | | |
| | | |
| | | |
| MOLE DOPPIA FASCIA <i>BAND WHEELS</i> | | <i>DOUBLE</i> |
| W21 |  | 21 |
| W22 |  | 21 |
| W23 |  | 21 |
| W24 |  | 21 |
| W25 |  | 22 |
| W26 |  | 22 |
| 11AA9 |  | 22 |
| | | |
| | | |
| | | |
| | | |
| | | |
| | | |
| | | |
| | | |
| | | |
| | | |
| | | |
| | | |
| | | |

IAIW - MOLETTE DIAMANTATE E CBN PER INTERNI SINTERIZZATE

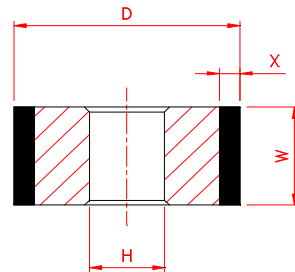
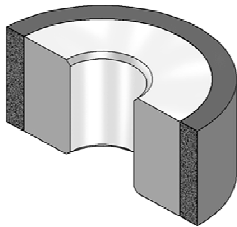
SINTERED I.D. GRINDING DIAMOND & CBN PINS



| D | W | X | Y | L1 | L | | | | |
|----|------|-----|---|----|----|--|--|--|--|
| 5 | 6-10 | 1 | 6 | 5 | 60 | | | | |
| 6 | 6-10 | 1,5 | 6 | 5 | 60 | | | | |
| 8 | 6-10 | 2 | 6 | 5 | 60 | | | | |
| 10 | 6-10 | 2 | 6 | | 60 | | | | |
| 12 | 6-10 | 2 | 6 | | 60 | | | | |
| | | | | | | | | | |
| | | | | | | | | | |

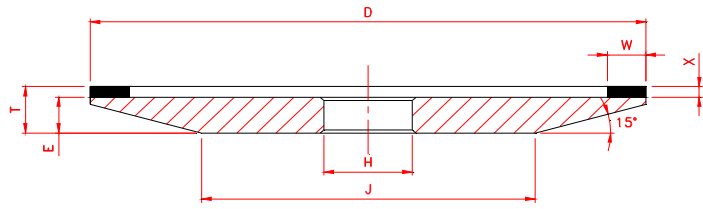
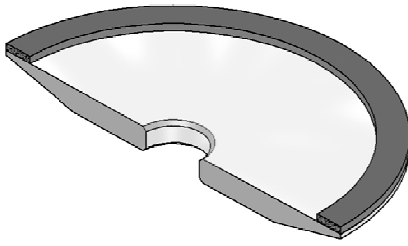
IAI - MOLETTE DIAMANTATE E CBN PER INTERNI SINTERIZZATE CON FORO

IAI SMALL



| D | W | X | H | | | | | | |
|-------|----------|-----|----|--|--|--|--|--|--|
| 14 | 10-15-20 | 1,5 | 6 | | | | | | |
| 16-18 | 10-15-20 | 2 | 6 | | | | | | |
| 20 | 10-15-20 | 3 | 6 | | | | | | |
| 25-30 | 10-15-20 | 3 | 8 | | | | | | |
| 40-50 | 10-15-20 | 3 | 10 | | | | | | |
| | | | | | | | | | |
| | | | | | | | | | |

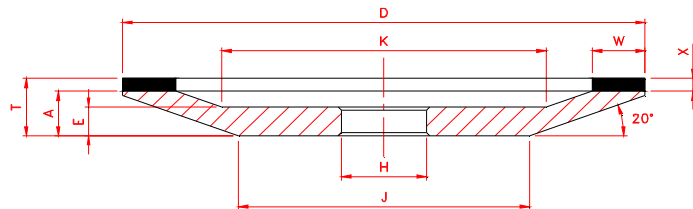
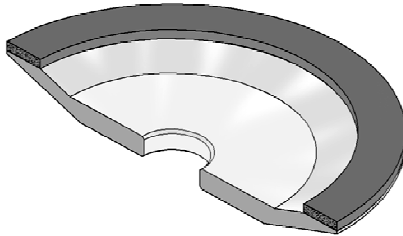
4A2



ORDINE/PLEASE SPECIFY

| D | W | X | T | A | E | J | | | H |
|----------|------------|-------|-----|---|----|-----|--|--|---|
| 75 (20°) | 4-5-6-8 | 2-3-4 | E+X | | 6 | 48 | | | A R I C H I E S T A A T R E Q U E S T |
| 100 | 4-5-6-8-10 | 2-3-4 | E+X | | 6 | 63 | | | |
| 125 | 4-5-6-8-10 | 2-3-4 | E+X | | 7 | 80 | | | |
| 150 | 4-5-6-8-10 | 2-3-4 | E+X | | 9 | 90 | | | |
| 175 | 4-5-6-8-10 | 2-3-4 | E+X | | 10 | 108 | | | |
| 200 | 5-6-8-10 | 2-3-4 | E+X | | 10 | 133 | | | |

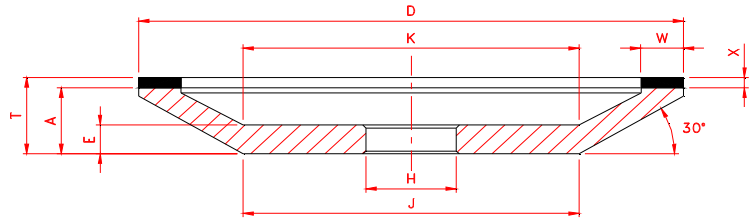
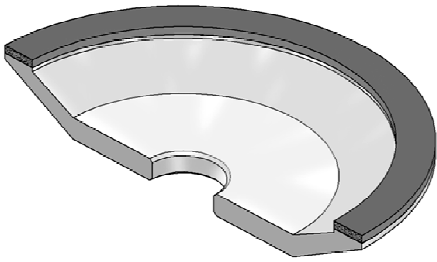
12A2 20°



ORDINE/PLEASE SPECIFY

| D | W | X | T | A | E | J | K | | H |
|-----|------------|-------|-----|----|----|----|----|--|---|
| 75 | 4-5-6-8 | 2-3-4 | A+X | 8 | 6 | 37 | 33 | | A R I C H I E S T A A T R E Q U E S T |
| 100 | 4-5-6-8-10 | 2-3-4 | A+X | 10 | 8 | 51 | 50 | | |
| 125 | 4-5-6-8-10 | 2-3-4 | A+X | 14 | 8 | 54 | 54 | | |
| 150 | 4-5-6-8-10 | 2-3-4 | A+X | 16 | 9 | 68 | 68 | | |
| 175 | 4-5-6-8-10 | 2-3-4 | A+X | 18 | 10 | 82 | 82 | | |
| 200 | 5-6-8-10 | 2-3-4 | A+X | 20 | 11 | 96 | 96 | | |

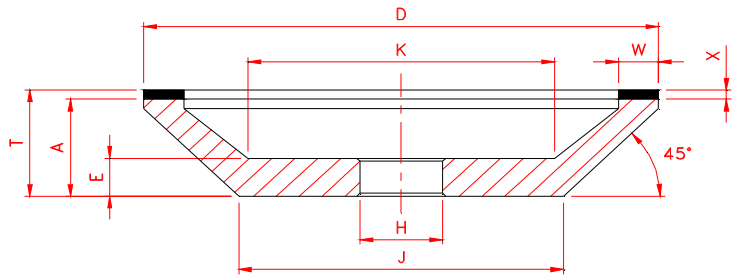
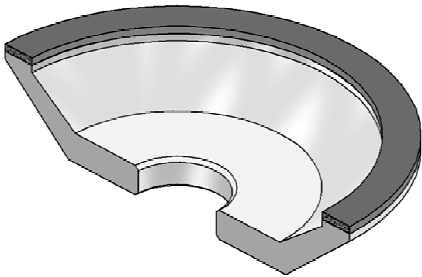
12A2 30°



ORDINE/PLEASE SPECIFY

| D | W | X | T | A | E | J | K | | H |
|-----|---------------|---------|-----|----|----|-----|-----|--|---|
| 75 | 4-5-6-8-10 | 2-3-4-5 | A+X | 12 | 7 | 40 | 37 | | A R I C H I E S T A A T R E Q U E S T |
| 100 | 4-5-6-8-10-12 | 2-3-4-5 | A+X | 14 | 8 | 58 | 56 | | |
| 125 | 4-5-6-8-10-12 | 2-3-4-5 | A+X | 18 | 8 | 69 | 65 | | |
| 150 | 4-5-6-8-10-12 | 2-3-4-5 | A+X | 20 | 9 | 87 | 80 | | |
| 175 | 5-6-8-10-12 | 2-3-4-5 | A+X | 22 | 10 | 109 | 100 | | |
| | | | | | | | | | |

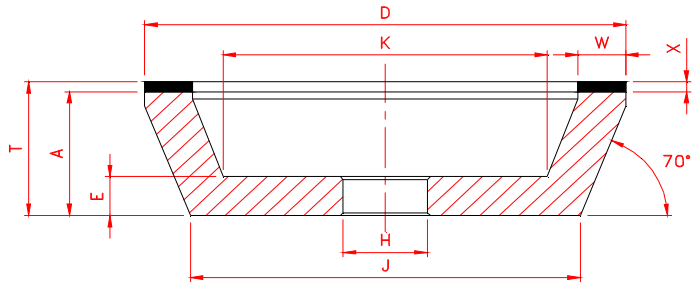
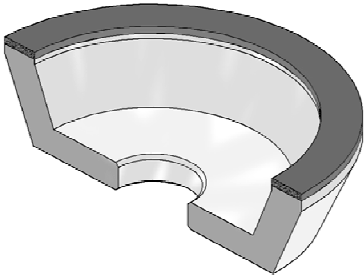
12A2 45°



ORDINE/PLEASE SPECIFY

| D | W | X | T | A | E | J | K | | H |
|-----|---------------|---------|-----|----|----|-----|-----|--|---|
| 75 | 4-5-6-8-10 | 2-3-4-5 | A+X | 20 | 9 | 41 | 37 | | A R I C H I E S T A A T R E Q U E S T |
| 100 | 4-5-6-8-10-12 | 2-3-4-5 | A+X | 23 | 10 | 58 | 54 | | |
| 125 | 4-5-6-8-10-12 | 2-3-4-5 | A+X | 23 | 10 | 83 | 79 | | |
| 150 | 4-5-6-8-10-12 | 2-3-4-5 | A+X | 23 | 10 | 108 | 94 | | |
| 175 | 5-6-8-10-12 | 2-3-4-5 | A+X | 25 | 12 | 129 | 123 | | |
| 200 | 5-6-8-10-12 | 2-3-4-5 | A+X | 25 | 12 | 154 | 138 | | |

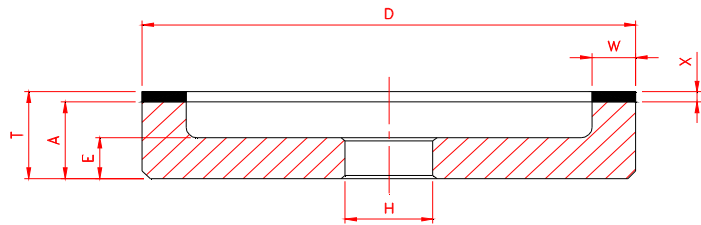
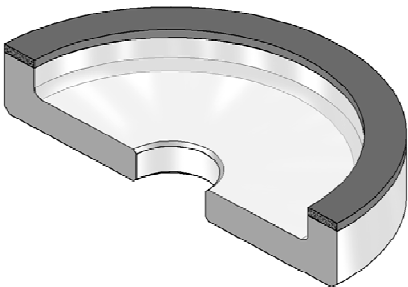
11A2



ORDINE/PLEASE SPECIFY

| D | W | X | T | A | E | J | K | | H |
|-----|---------------|---------|-----|----|----|-----|-----|--|---|
| 75 | 4-5-6-8-10 | 2-3-4-5 | A+X | 20 | 10 | 63 | 48 | | A R I C H I E S T A A T R E Q U E S T |
| 100 | 4-5-6-8-10-12 | 2-3-4-5 | A+X | 33 | 10 | 78 | 65 | | |
| 125 | 4-5-6-8-10-12 | 2-3-4-5 | A+X | 33 | 10 | 103 | 90 | | |
| 150 | 4-5-6-8-10-12 | 2-3-4-5 | A+X | 33 | 10 | 128 | 115 | | |
| | | | | | | | | | |
| | | | | | | | | | |

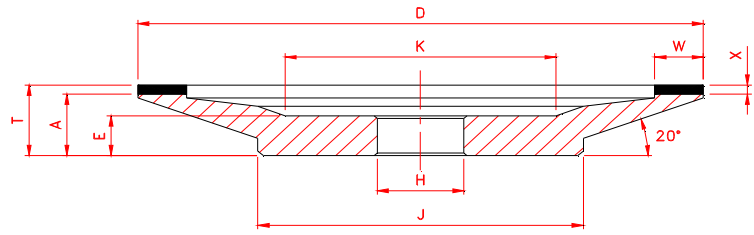
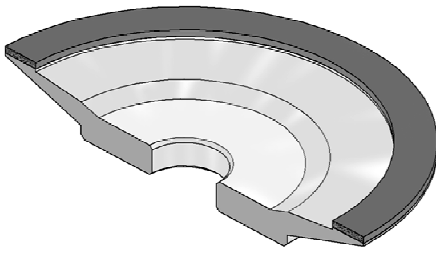
6A2



ORDINE/PLEASE SPECIFY

| D | W | X | T | A | E | | | | H |
|-----|---------------------|---------|-----|----|----|--|--|--|---|
| 75 | 4-5-6-8-10 | 2-3-4-5 | A+X | 20 | 10 | | | | A R I C H I E S T A A T R E Q U E S T |
| 100 | 4-5-6-8-10-12-15 | 2-3-4-5 | A+X | 23 | 10 | | | | |
| 125 | 4-5-6-8-10-12-15-20 | 2-3-4-5 | A+X | 23 | 10 | | | | |
| 150 | 4-5-6-8-10-12-15-20 | 2-3-4-5 | A+X | 23 | 10 | | | | |
| 175 | 5-6-8-10-12-15-20 | 2-3-4-5 | A+X | 25 | 13 | | | | |
| 200 | 5-6-8-10-12-15-20 | 2-3-4-5 | A+X | 25 | 13 | | | | |

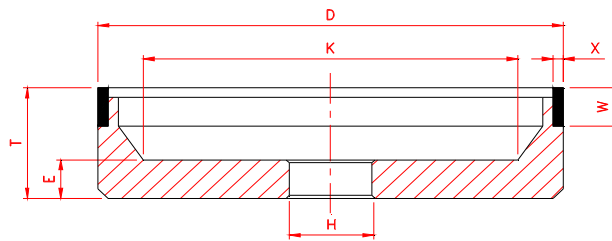
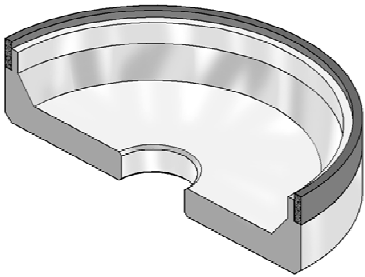
16A2



ORDINE/PLEASE SPECIFY

| D | W | X | T | A | E | J | K | | H |
|-----|-------|-------|-----|----|----|----|----|--|---|
| 125 | 5-6-8 | 2-4-6 | A+X | 14 | 9 | 75 | 55 | | A R I C H I E S T A A T R E Q U E S T |
| 150 | 5-6-8 | 2-4-6 | A+X | 16 | 10 | 80 | 60 | | |
| | | | | | | | | | |
| | | | | | | | | | |
| | | | | | | | | | |
| | | | | | | | | | |

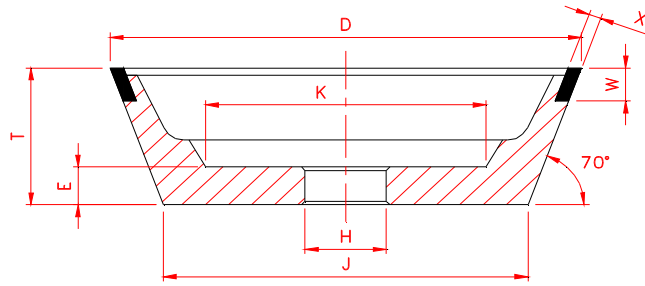
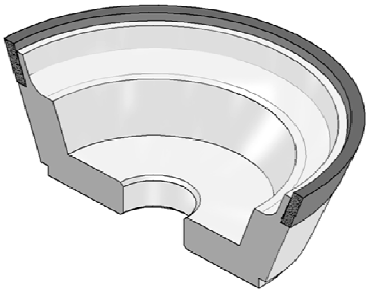
6A9



ORDINE/PLEASE SPECIFY

| D | W | X | T | E | K | | | | H |
|-----|------|-----|----|----|-----|--|--|--|---|
| 75 | 6-10 | 2-3 | 25 | 10 | 60 | | | | A R I C H I E S T A A T R E Q U E S T |
| 100 | 6-10 | 2-3 | 30 | 10 | 80 | | | | |
| 125 | 6-10 | 3-4 | 30 | 10 | 110 | | | | |
| 150 | 10 | 3-4 | 35 | 10 | 135 | | | | |
| 175 | 10 | 3-4 | 35 | 13 | 150 | | | | |
| 200 | 10 | 3-4 | 35 | 13 | 175 | | | | |
| | | | | | | | | | |

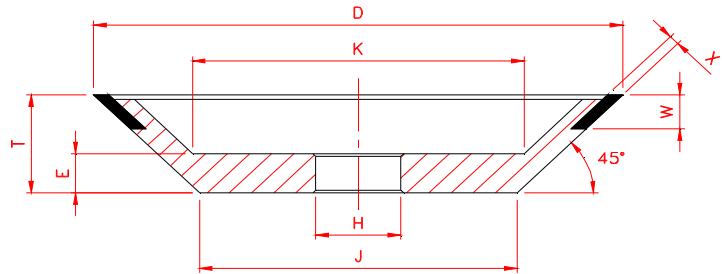
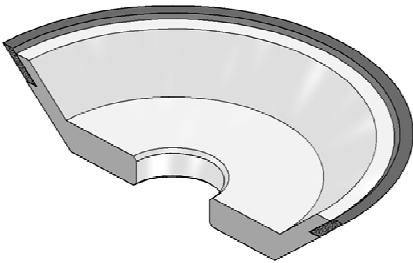
11V9



ORDINE/PLEASE SPECIFY

| D | W | X | T | E | J | K | | | H |
|-----|----|-----|----|----|-----|----|--|--|---|
| 50 | 6 | 2 | 20 | 8 | 35 | 30 | | | A R I C H I E S T A A T R E Q U E S T |
| 75 | 10 | 2-3 | 30 | 10 | 53 | 40 | | | |
| 100 | 10 | 2-3 | 35 | 10 | 75 | 55 | | | |
| 125 | 10 | 2-3 | 40 | 10 | 96 | 75 | | | |
| 150 | 10 | 2-3 | 50 | 10 | 114 | 90 | | | |
| | | | | | | | | | |

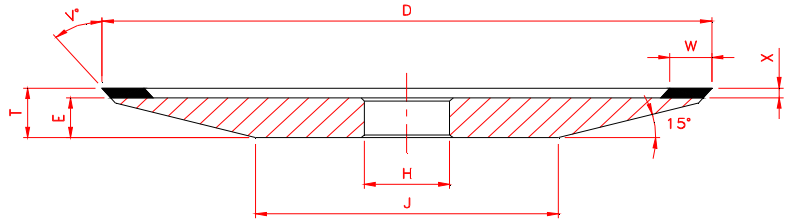
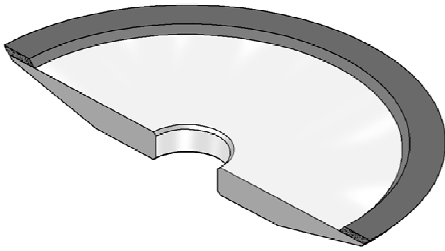
12V9



ORDINE/PLEASE SPECIFY

| D | W | X | T | E | J | K | | | H |
|-----|----|-----|----|----|-----|-----|--|--|---|
| 75 | 6 | 2 | 20 | 10 | 35 | 45 | | | A R I C H I E S T A A T R E Q U E S T |
| 75 | 10 | 2-3 | 20 | 10 | 35 | 45 | | | |
| 100 | 6 | 2 | 20 | 10 | 60 | 65 | | | |
| 100 | 10 | 2-3 | 20 | 10 | 60 | 65 | | | |
| 125 | 10 | 2-3 | 25 | 10 | 75 | 80 | | | |
| 150 | 10 | 3 | 25 | 10 | 100 | 105 | | | |

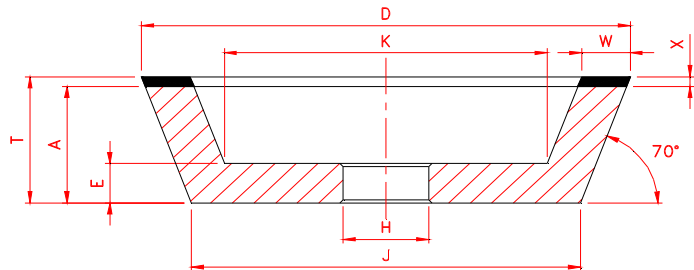
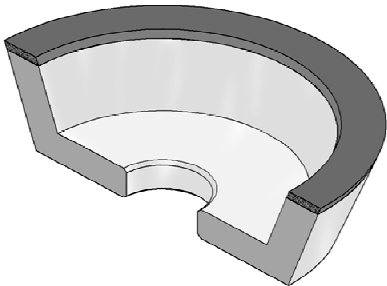
4V2



ORDINE/PLEASE SPECIFY

| D | W | X | T | E | J | | | | H |
|-----|-----|---|-----|---|----|--|--|--|---|
| 75 | 5-6 | 2 | E+X | 6 | 48 | | | | A R I C H I E S T A A T R E Q U E S T |
| 100 | 5-6 | 2 | E+X | 6 | 63 | | | | |
| 125 | 5-6 | 2 | E+X | 7 | 80 | | | | |
| 150 | 5-6 | 2 | E+X | 9 | 90 | | | | |
| | | | | | | | | | |
| | | | | | | | | | |

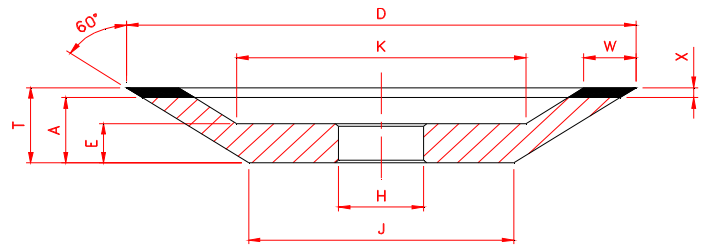
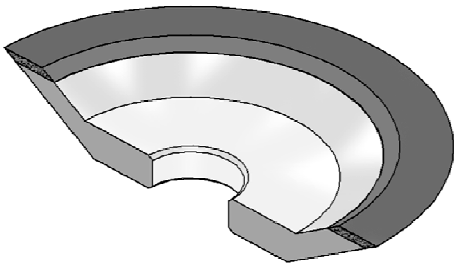
11V2 20°



ORDINE/PLEASE SPECIFY

| D | W | X | T | A | E | J | K | | H |
|-----|----------|-------|-----|----|----|-----|-----|--|---|
| 75 | 5-6-8-10 | 2-3-4 | A+X | 20 | 10 | 57 | 58 | | A R I C H I E S T A A T R E Q U E S T |
| 100 | 5-6-8-10 | 2-3-4 | A+X | 33 | 10 | 73 | 61 | | |
| 125 | 5-6-8-10 | 2-3-4 | A+X | 33 | 10 | 98 | 86 | | |
| 150 | 5-6-8-10 | 2-3-4 | A+X | 33 | 10 | 123 | 111 | | |
| | | | | | | | | | |
| | | | | | | | | | |

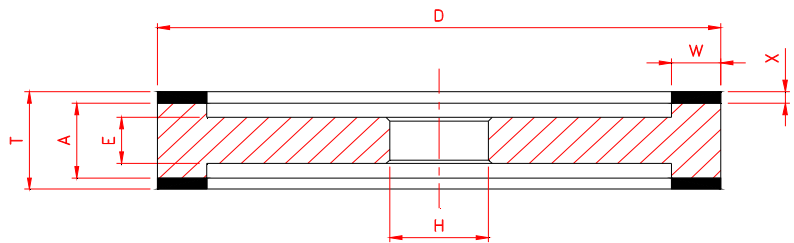
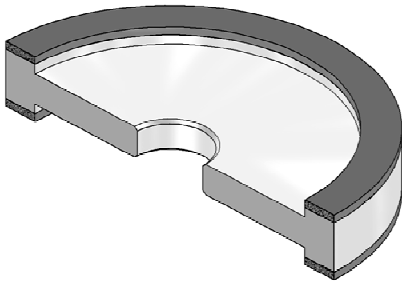
12V2 60°



ORDINE/PLEASE SPECIFY

| D | W | X | T | A | E | J | K | | H |
|-----|----------|-----|----|-----|----|----|-----|--|---|
| 75 | 5-6-8-10 | 2-3 | 13 | T-X | 6 | 30 | 29 | | A R I C H I E S T A A T R E Q U E S T |
| 100 | 5-6-8-10 | 2-3 | 15 | T-X | 7 | 50 | 48 | | |
| 125 | 5-6-8-10 | 2-3 | 19 | T-X | 8 | 60 | 73 | | |
| 150 | 5-6-8-10 | 2-3 | 20 | T-X | 10 | 80 | 102 | | |
| | | | | | | | | | |
| | | | | | | | | | |

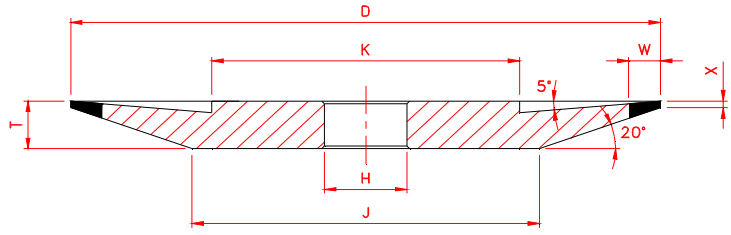
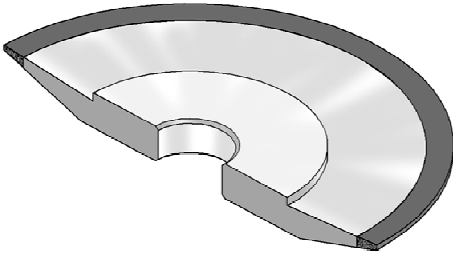
9A3



ORDINE/PLEASE SPECIFY

| D | W | X | T | A | E | | | | H |
|-----|--------|-----|-------|------|----|--|--|--|---|
| 150 | 5-8-10 | 2-3 | 25-35 | T-2X | 14 | | | | A R I C H I E S T A A T R E Q U E S T |
| 175 | 5-8-10 | 2-3 | 25-35 | T-2X | 14 | | | | |
| 200 | 5-8-10 | 2-3 | 30 | T-2X | 18 | | | | |
| | | | | | | | | | |
| | | | | | | | | | |
| | | | | | | | | | |

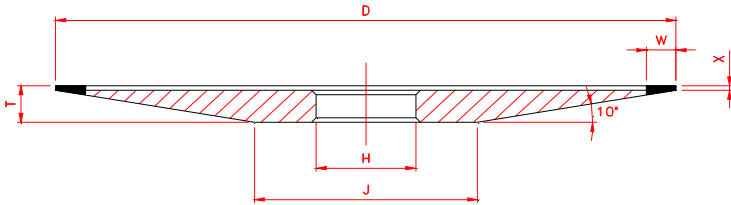
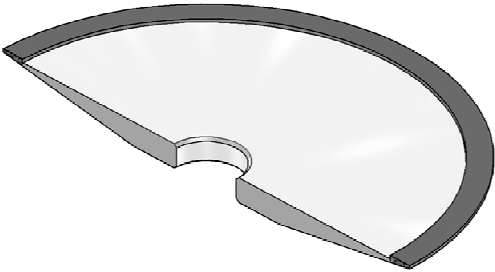
4BT9



ORDINE/PLEASE SPECIFY

| D | W | X | T | J | K | | | | H |
|-----|------|-------|----|----|----|--|--|--|---|
| 75 | 6-10 | 1-2-3 | 8 | 37 | 37 | | | | A R I C H I E S T A A T R E Q U E S T |
| 100 | 6-10 | 1-2-3 | 10 | 50 | 50 | | | | |
| 125 | 6-10 | 1-2-3 | 12 | 65 | 65 | | | | |
| | | | | | | | | | |
| | | | | | | | | | |
| | | | | | | | | | |

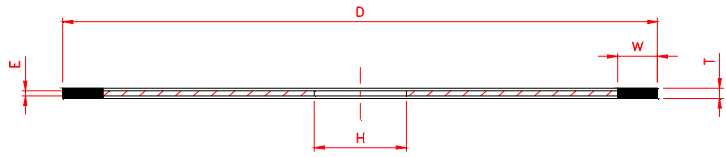
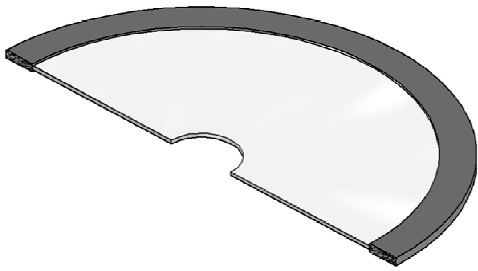
4ET9



ORDINE/PLEASE SPECIFY

| D | W | X | T | J | | | | | H |
|-----|---|-------|----|----|--|--|--|--|---|
| 75 | 6 | 1-2 | 6 | 30 | | | | | A R I C H I E S T A A T R E Q U E S T |
| 100 | 6 | 1-2 | 6 | 43 | | | | | |
| 125 | 6 | 1-2-3 | 8 | 45 | | | | | |
| 150 | 6 | 1-2-3 | 10 | 48 | | | | | |
| | | | | | | | | | |
| | | | | | | | | | |

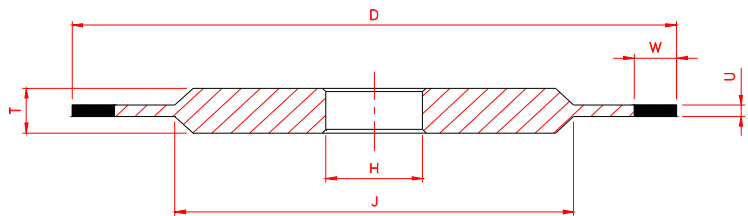
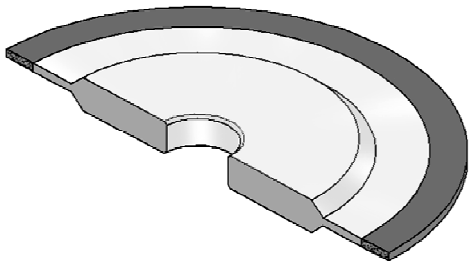
1A1R



ORDINE/PLEASE SPECIFY

| D | T | X | | | | | | | H |
|-----|-----------|---|--|--|--|--|--|--|---|
| 75 | 1-1,2-1,5 | 5 | | | | | | | A R I C H I E S T A A T R E Q U E S T |
| 100 | 1-1,2-1,5 | 6 | | | | | | | |
| 125 | 1-1,2-1,5 | 6 | | | | | | | |
| 150 | 1-1,2-1,5 | 6 | | | | | | | |
| 175 | 1,5 | 6 | | | | | | | |
| 200 | 1,5 | 6 | | | | | | | |
| | | | | | | | | | |

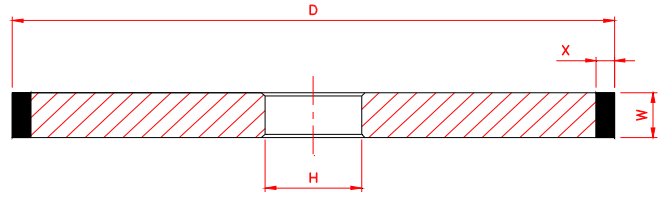
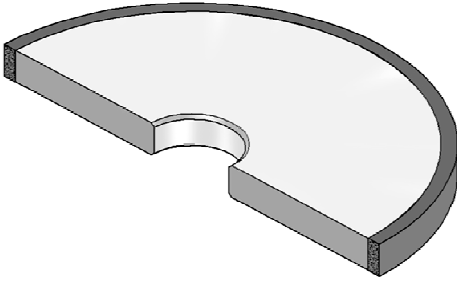
14A1R



ORDINE/PLEASE SPECIFY

| D | U | X | T | J | | | | | H |
|-----|---------|---|----|-----|--|--|--|--|---|
| 75 | 2-2,5-3 | 5 | 5 | 50 | | | | | A R I C H I E S T A A T R E Q U E S T |
| 100 | 2-2,5-3 | 6 | 6 | 70 | | | | | |
| 125 | 2-2,5-3 | 6 | 6 | 100 | | | | | |
| 150 | 2-2,5-3 | 6 | 8 | 120 | | | | | |
| 175 | 2-2,5-3 | 6 | 8 | 140 | | | | | |
| 200 | 2-2,5-3 | 6 | 10 | 160 | | | | | |
| | | | | | | | | | |

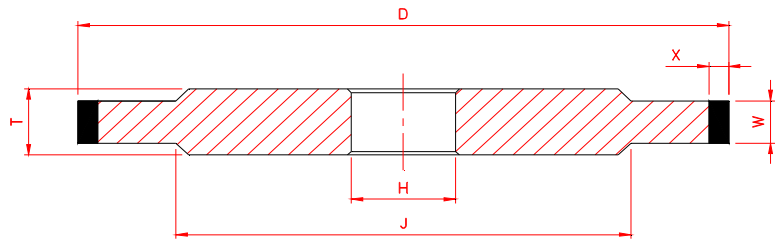
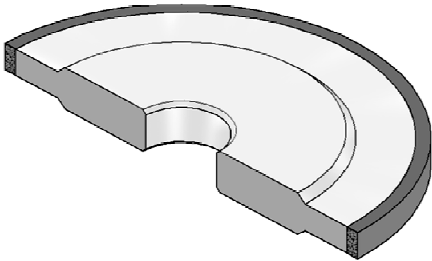
1A1



ORDINE/PLEASE SPECIFY

| D | T | X | | | | | | | H |
|---------|---------------|-----------|--|--|--|--|--|--|---|
| 75÷150 | 5-6-8-10 | 2-3-4-6-8 | | | | | | | A R I C H I E S T A A T R E Q U E S T |
| | 12-15-20 | 3-4-6-8 | | | | | | | |
| 175÷250 | 8-10-12-15-20 | 3-4-6 | | | | | | | |
| 300÷400 | 8-10-12-15-20 | 3-4-6 | | | | | | | |
| | | | | | | | | | |
| | | | | | | | | | |
| | | | | | | | | | |

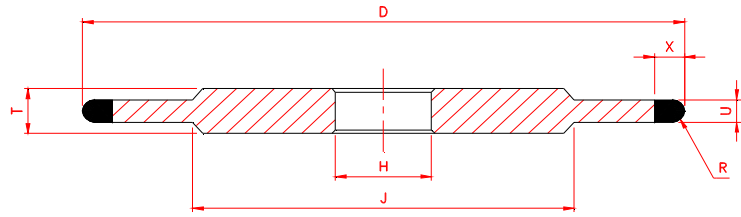
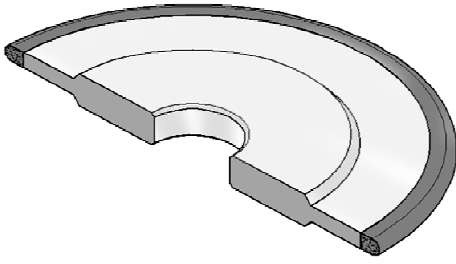
14A1



ORDINE/PLEASE SPECIFY

| D | U | X | T | J | | | | | H |
|---------|---------------|-------|----|------|--|--|--|--|---|
| 75÷125 | 3-4-5-6 | 2-3-4 | 8 | D-25 | | | | | A R I C H I E S T A A T R E Q U E S T |
| 150÷200 | 3-4-5-6 | 3-4 | 10 | D-30 | | | | | |
| 250÷300 | 5-6-8-10-12 | 3-4-6 | 16 | D-50 | | | | | |
| 350 | 6-8-10-12-15 | 3-4-6 | 20 | 280 | | | | | |
| 400 | 8-10-12-15-20 | 3-4-6 | 25 | 330 | | | | | |
| | | | | | | | | | |
| | | | | | | | | | |

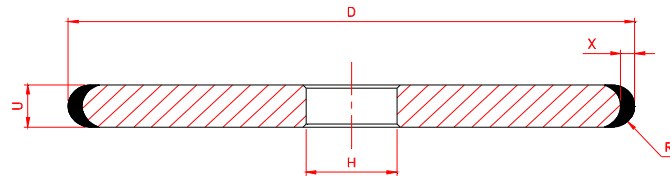
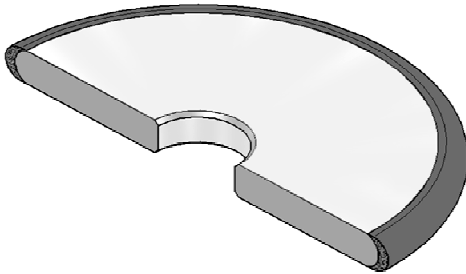
14F1



ORDINE/PLEASE SPECIFY

| D | R | X | U | T | J | | | | H |
|-----|-----|-----|----|----|-----|--|--|--|---|
| 75 | 1÷3 | 4-6 | 2R | 8 | 50 | | | | A R I C H I E S T A A T R E Q U E S T |
| 100 | 1÷3 | 4-6 | 2R | 8 | 75 | | | | |
| 125 | 1÷4 | 4-6 | 2R | 10 | 100 | | | | |
| 150 | 1÷3 | 4-6 | 2R | 10 | 120 | | | | |
| 175 | 1÷3 | 4-6 | 2R | 12 | 145 | | | | |
| 200 | 1÷3 | 4-6 | 2R | 14 | 170 | | | | |
| | | | | | | | | | |

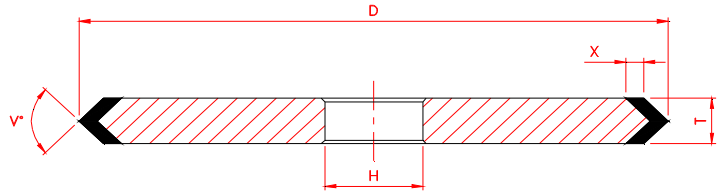
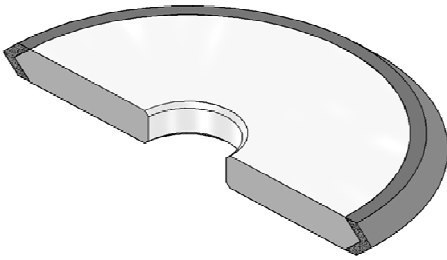
1FF1



ORDINE/PLEASE SPECIFY

| D | R | X | U | | | | | | H |
|-----|------|-----|----|--|--|--|--|--|---|
| 75 | 4÷8 | 2-4 | 2R | | | | | | A R I C H I E S T A A T R E Q U E S T |
| 100 | 4÷10 | 2-4 | 2R | | | | | | |
| 125 | 4÷10 | 2-4 | 2R | | | | | | |
| 150 | 4÷10 | 2-4 | 2R | | | | | | |
| 175 | 4÷10 | 2-4 | 2R | | | | | | |
| 200 | 4÷10 | 2-4 | 2R | | | | | | |
| | | | | | | | | | |

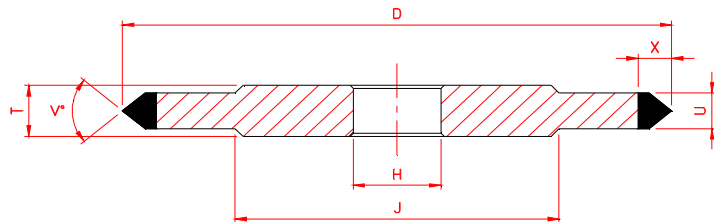
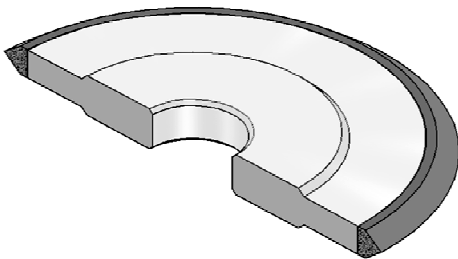
1EE1



ORDINE/PLEASE SPECIFY

| D | T | X | | | | | | | H |
|-----|-----------------|-------|--|--|--|--|--|--|---|
| 75 | 5-6-8-10-12 | 2-3-4 | | | | | | | A R I C H I E S T A A T R E Q U E S T |
| 100 | 5-6-8-10-12 | 2-3-4 | | | | | | | |
| 125 | 5-6-8-10-12-15 | 3-4 | | | | | | | |
| 150 | 5-6-8-10-12-15 | 3-4 | | | | | | | |
| 175 | 6-8-10-12-15-20 | 3-4 | | | | | | | |
| 200 | 6-8-10-12-15-20 | 3-4 | | | | | | | |
| 250 | 6-8-10-12-15-20 | 3-4 | | | | | | | |

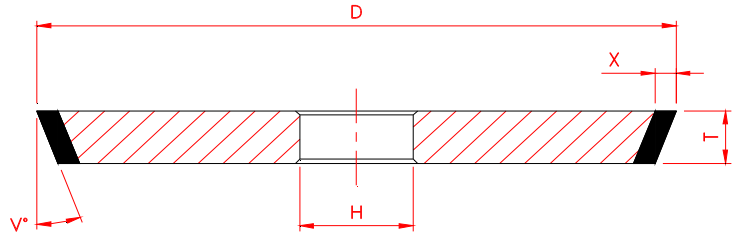
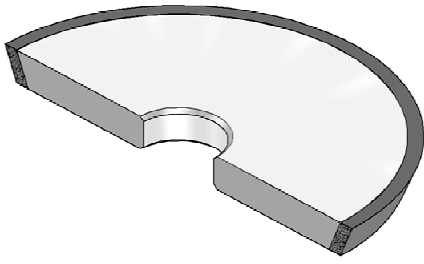
14E1



ORDINE/PLEASE SPECIFY

| D | U | X | T | J | | | | | H |
|-----|---------|-----|----|-----|--|--|--|--|---|
| 75 | 2-3-4 | 4-6 | 6 | 50 | | | | | A R I C H I E S T A A T R E Q U E S T |
| 100 | 2-3-4 | 4-6 | 6 | 70 | | | | | |
| 125 | 2-3-4 | 4-6 | 6 | 100 | | | | | |
| 150 | 2-3-4 | 4-6 | 6 | 120 | | | | | |
| 175 | 2-3-4-5 | 4-6 | 8 | 140 | | | | | |
| 200 | 2-3-4-5 | 4-6 | 10 | 160 | | | | | |
| 250 | 2-3-4-5 | 4-6 | 15 | 200 | | | | | |

IVI



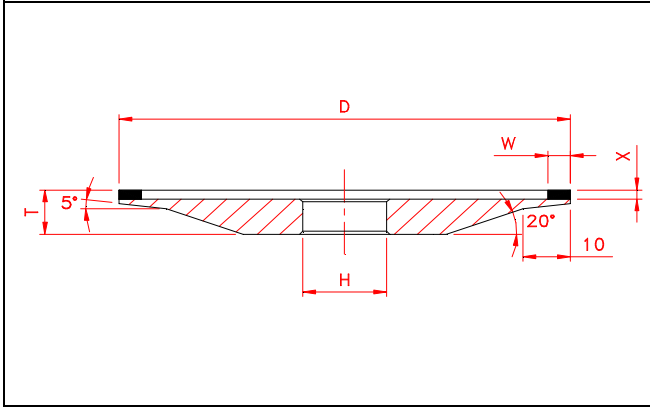
ORDINE/PLEASE SPECIFY

| D | T | X | | | | | | | H |
|-----|--------------------|-------|--|--|--|--|--|--|---|
| 75 | 3-4-5-6-8-10 | 3-4-6 | | | | | | | A R I C H I E S T A A T R E Q U E S T |
| 100 | 3-4-5-6-8-10-12-15 | 3-4-6 | | | | | | | |
| 125 | 3-4-5-6-8-10-12-15 | 3-4-6 | | | | | | | |
| 150 | 3-4-5-6-8-10-12-15 | 3-4-6 | | | | | | | |
| 175 | 3-4-5-6-8-10-12-15 | 3-4-6 | | | | | | | |
| 200 | 3-4-5-6-8-10-12-15 | 3-4-6 | | | | | | | |
| | | | | | | | | | |

ORDINE/PLEASE SPECIFY

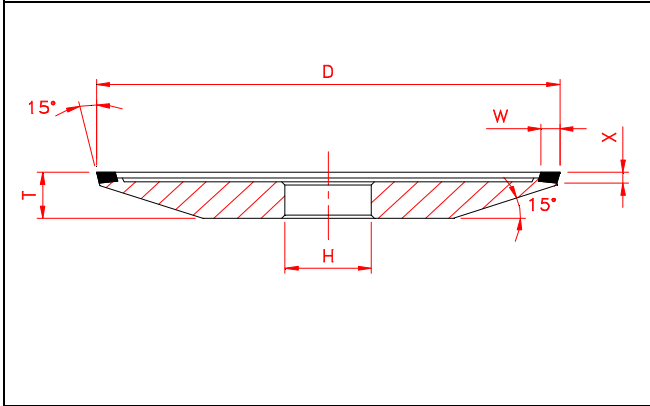
| D | T | X | | | | | | | H |
|---|---|---|--|--|--|--|--|--|---|
| | | | | | | | | | A R I C H I E S T A A T R E Q U E S T |
| | | | | | | | | | |
| | | | | | | | | | |
| | | | | | | | | | |
| | | | | | | | | | |
| | | | | | | | | | |
| | | | | | | | | | |

W 01



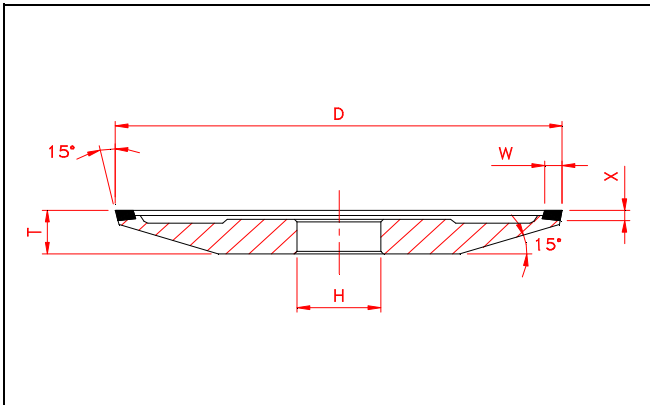
| T | D | W | X | | | H |
|----|-----|-------|-------|--|--|--|
| 10 | 100 | 3-4-5 | 1-1,8 | | | A R I C H I E S T A |
| 10 | 125 | 3-4-5 | 1-1,8 | | | |
| 10 | 150 | 4-5 | 1-1,8 | | | |
| | | | | | | |
| | | | | | | |

W 02 - 4B9



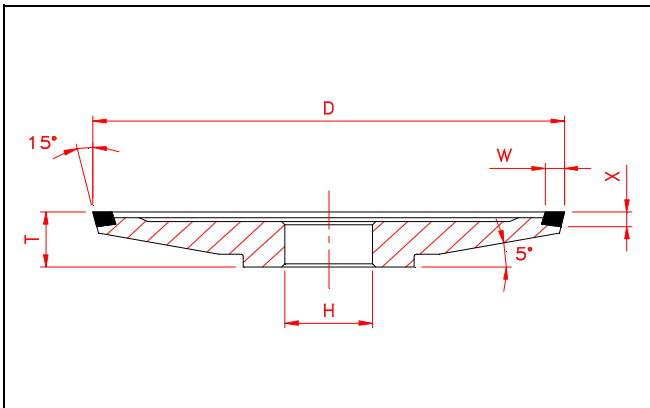
| T | D | W | X | | | H |
|------|---------|---|-----|--|--|--|
| 8,3 | 125-150 | 3 | 1,5 | | | A R I C H I E S T A |
| 11 | 125-150 | 3 | 1,8 | | | |
| 12,2 | 125-150 | 3 | 3,3 | | | |
| 14 | 125-150 | 3 | 1,8 | | | |
| | | | | | | |

W 03 - 4V9



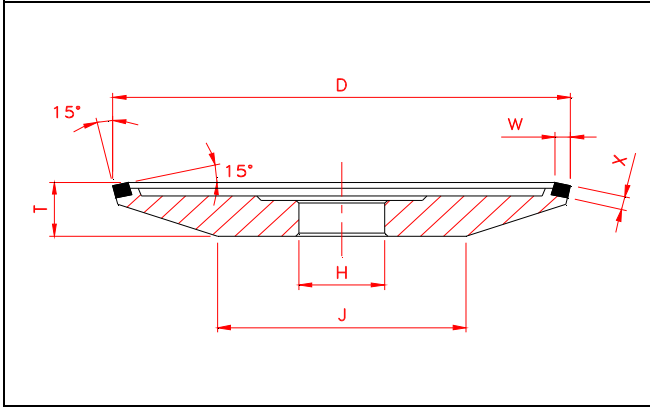
| T | D | W | X | J | V | H |
|-----|---------|---|-----|----|-----|--|
| 8,3 | 125-150 | 3 | 1,5 | 60 | 15° | A R I C H I E S T A |
| 11 | 125-150 | 3 | 1,8 | | | |
| | | | | | | |
| | | | | | | |

W 04



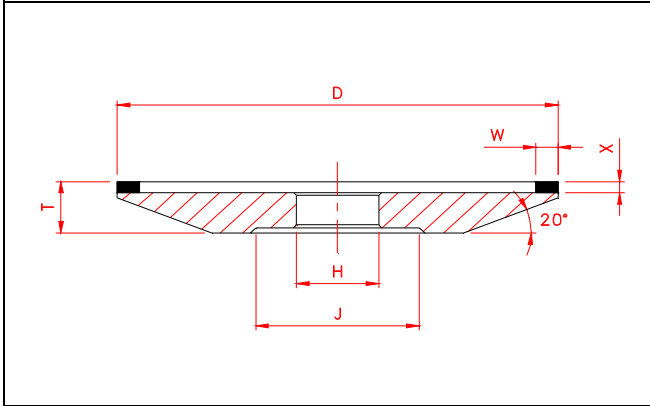
| T | D | W | X | J | V | H |
|----|-----|---|-----|----|-----|--|
| 14 | 125 | 3 | 1,8 | 60 | 15° | A R I C H I E S T A |
| 14 | 125 | 3 | 3,3 | | | |
| | | | | | | |
| | | | | | | |

W 05



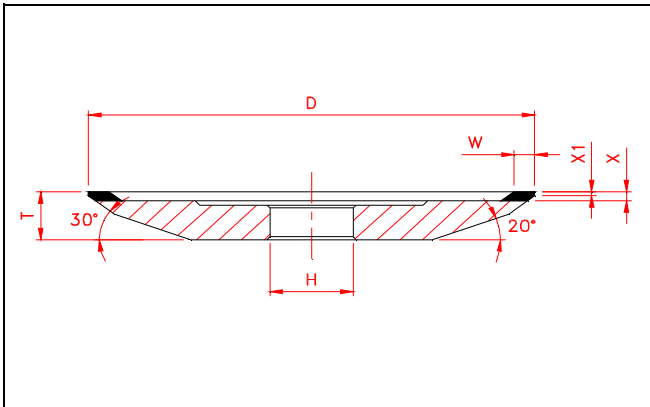
| T | D | W | X | J | | H |
|----|-----|---|---|----|--|--|
| 14 | 100 | 4 | 4 | 50 | | A R I C H I E S T A |
| | | | | | | A T R E Q U E S T |
| | | | | | | |
| | | | | | | |
| | | | | | | |

W 06



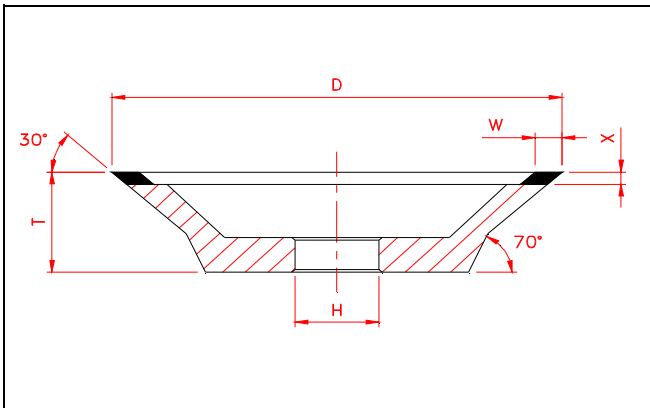
| T | D | W | X | J | | H |
|----|-----|-----|---|----|--|--|
| 12 | 100 | 4-5 | 3 | 50 | | A R I C H I E S T A |
| | | | | | | A T R E Q U E S T |
| | | | | | | |
| | | | | | | |
| | | | | | | |

W 07



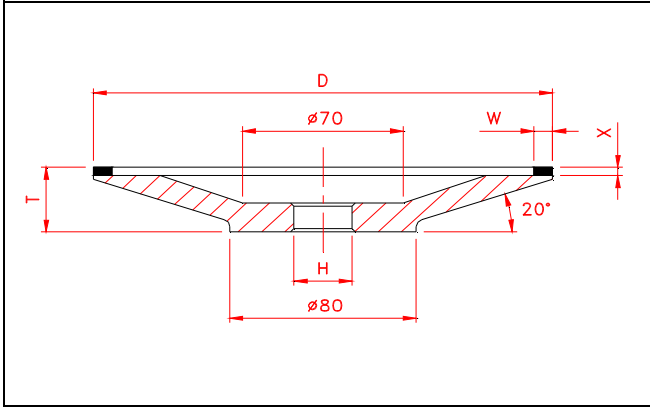
| T | D | W | X | X1 | | H |
|----|-----|---|---|-----|--|--|
| 10 | 100 | 4 | 2 | 1 | | A R I C H I E S T A |
| 11 | 125 | 4 | 2 | 0,1 | | A T R E Q U E S T |
| | | | | | | |
| | | | | | | |
| | | | | | | |

W 08



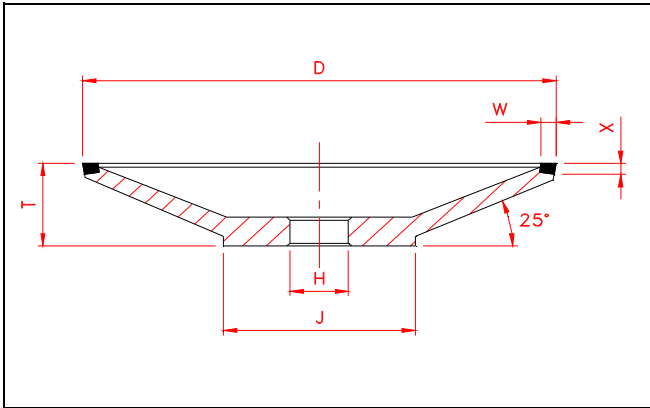
| T | D | W | X | | | H |
|----|-----|---|---|--|--|--|
| 26 | 125 | 5 | 3 | | | A R I C H I E S T A |
| 27 | 125 | 8 | 4 | | | A T R E Q U E S T |
| | | | | | | |
| | | | | | | |
| | | | | | | |

W 09



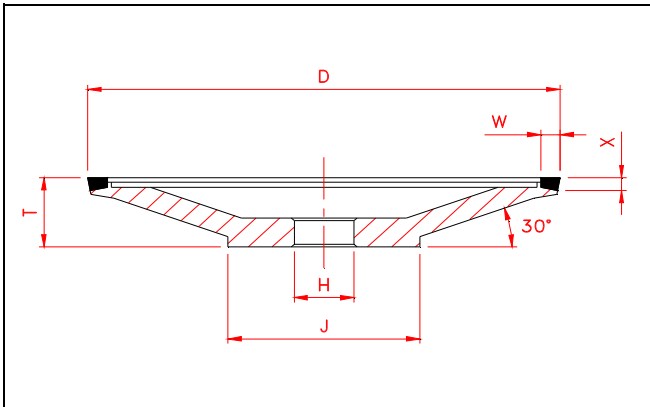
| T | D | W | X | | | H |
|----|-----|---|---|--|--|--|
| 23 | 150 | 5 | 4 | | | A R I C H I E S T A |
| 26 | 175 | 5 | 4 | | | |
| 28 | 200 | 5 | 4 | | | |
| | | | | | | |
| | | | | | | |
| | | | | | | |

W 10



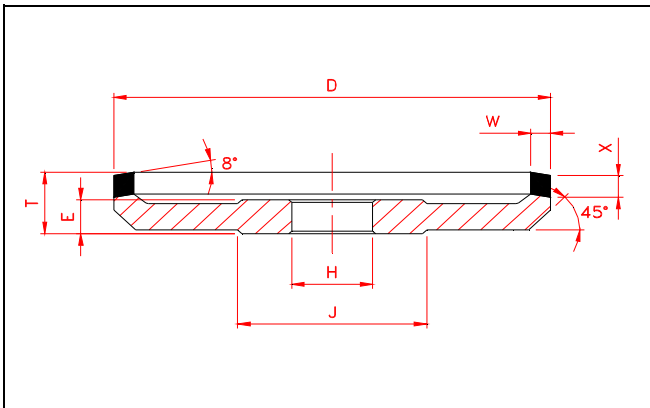
| T | D | W | X | | | H |
|----|-----|---|-----|--|--|--|
| 26 | 125 | 3 | 3,3 | | | A R I C H I E S T A |
| | | | | | | |
| | | | | | | |
| | | | | | | |
| | | | | | | |
| | | | | | | |

W 11



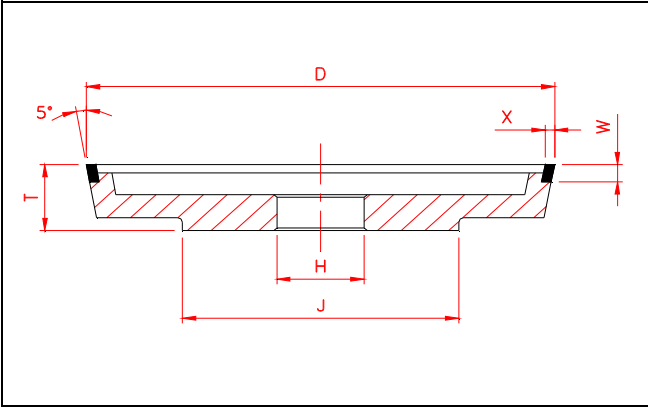
| T | D | W | X | | | H |
|----|-----|---|-----|--|--|--|
| 24 | 125 | 3 | 1,8 | | | A R I C H I E S T A |
| | | | | | | |
| | | | | | | |
| | | | | | | |
| | | | | | | |
| | | | | | | |

W 12



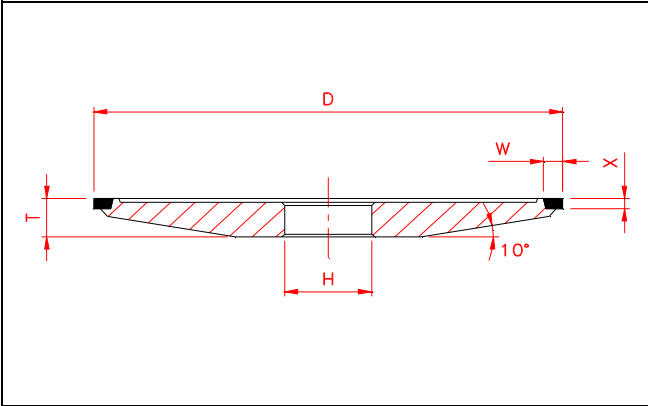
| T | D | W | X | | | H |
|----|-----|---|---|--|--|--|
| 18 | 125 | 5 | 6 | | | A R I C H I E S T A |
| | | | | | | |
| | | | | | | |
| | | | | | | |
| | | | | | | |
| | | | | | | |

W 13



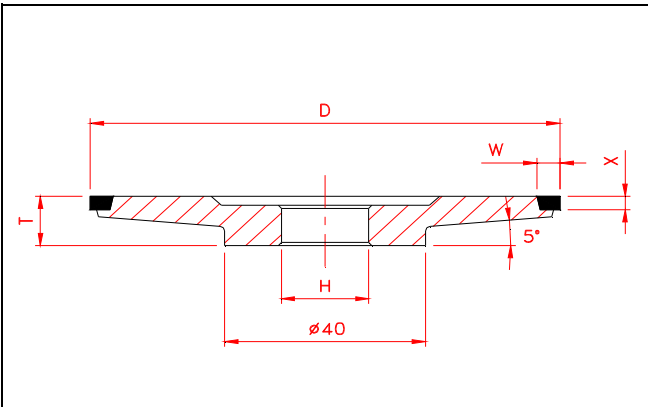
| T | D | W | X | J | | H |
|----|-----|---|---|-----|--|---|
| 26 | 125 | 5 | 3 | 50 | | A |
| 28 | 125 | 5 | 3 | 100 | | R |
| | | | | | | I |
| | | | | | | C |
| | | | | | | H |
| | | | | | | I |
| | | | | | | E |
| | | | | | | S |
| | | | | | | T |
| | | | | | | A |

W 14 - 4A9



| T | D | U | X | J | | H |
|-----|----|-----|---|----|--|---|
| 6,5 | 75 | 4,5 | 6 | 50 | | A |
| | | | | | | R |
| | | | | | | I |
| | | | | | | C |
| | | | | | | H |
| | | | | | | I |
| | | | | | | E |
| | | | | | | S |
| | | | | | | T |
| | | | | | | A |

W 15

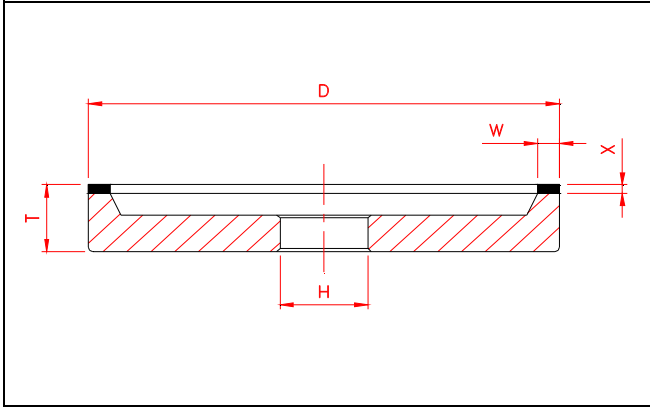


| T | D | W | X | | | H |
|----|--------|-----|---|--|--|---|
| 14 | 75-100 | 4,5 | 4 | | | A |
| 14 | 100 | 6,5 | 4 | | | R |
| | | | | | | I |
| | | | | | | C |
| | | | | | | H |
| | | | | | | I |
| | | | | | | E |
| | | | | | | S |
| | | | | | | T |
| | | | | | | A |



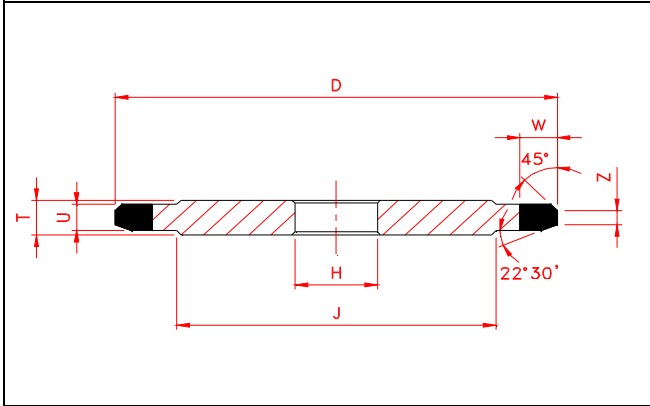
| | | | | | | H |
|--|--|--|--|--|--|---|
| | | | | | | A |
| | | | | | | R |
| | | | | | | I |
| | | | | | | C |
| | | | | | | H |
| | | | | | | I |
| | | | | | | E |
| | | | | | | S |
| | | | | | | T |
| | | | | | | A |

W 17



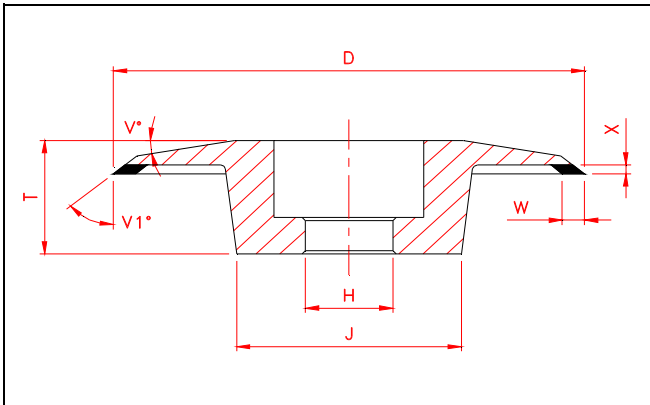
| T | D | W | X | | | H |
|----|-----|---|---|--|--|---|
| 27 | 200 | 8 | 4 | | | A R I C H I E S T A A T R E Q U E S T |
| 35 | 200 | 8 | 4 | | | |
| | | | | | | |
| | | | | | | |
| | | | | | | |

W 18

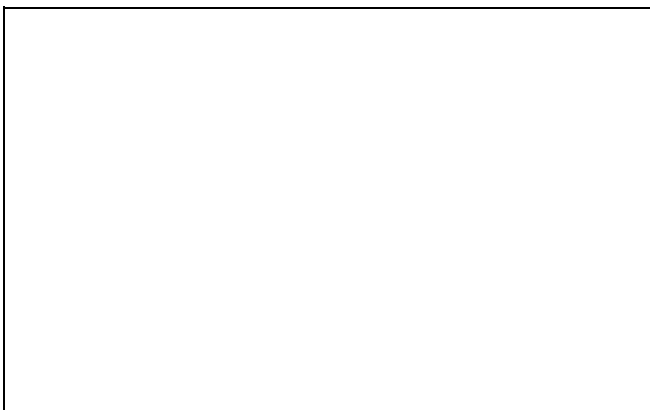


| T | D | U | X | J | | H |
|-----|----|-----|---|----|--|---|
| 6,5 | 75 | 4,5 | 6 | 50 | | A R I C H I E S T A A T R E Q U E S T |
| | | | | | | |
| | | | | | | |
| | | | | | | |
| | | | | | | |

W 19

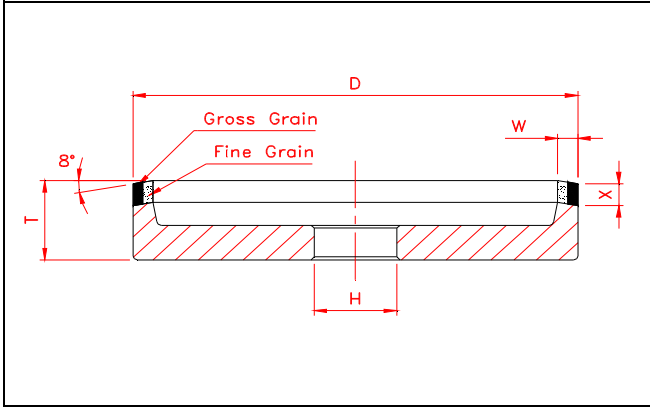


| T | D | W | X | J | V1 | H |
|----|-----|---|-----|----|-----|---|
| 23 | 75 | 2 | 1,5 | 38 | 45° | A R I C H I E S T A A T R E Q U E S T |
| 24 | 125 | 3 | 3 | 60 | 15° | |
| | | | | | | |
| | | | | | | |
| | | | | | | |



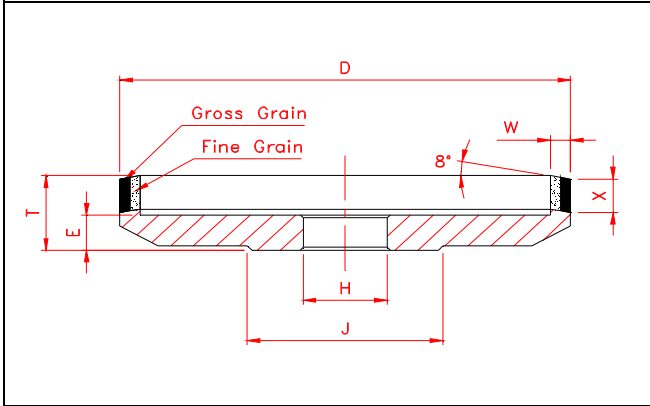
| | | | | | | H |
|--|--|--|--|--|--|---|
| | | | | | | A R I C H I E S T A A T R E Q U E S T |
| | | | | | | |
| | | | | | | |
| | | | | | | |
| | | | | | | |

W 21



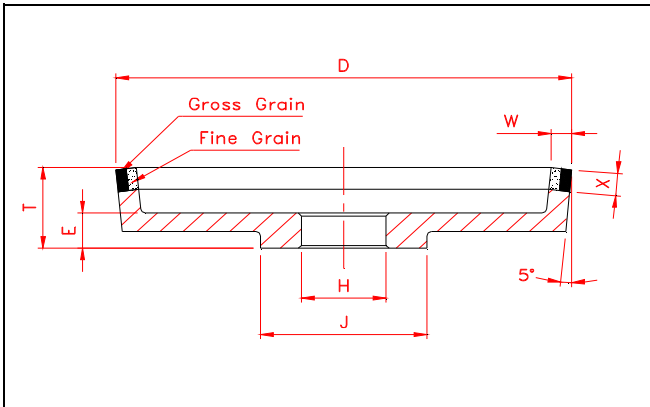
| T | D | W | X | | | H |
|----|---------|---|----|--|--|---|
| 20 | 100-125 | 5 | 6 | | | A R I C H I E S T A A T R E Q U E S T |
| 24 | 100-125 | 5 | 10 | | | |
| | | | | | | |
| | | | | | | |
| | | | | | | |

W 22



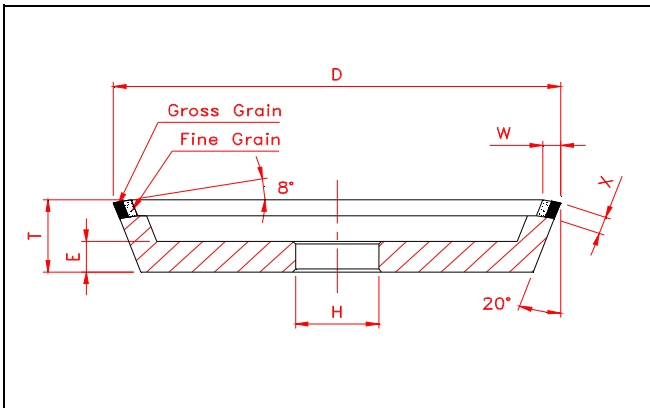
| T | D | W | X | J | | H |
|----|-----|---|----|----|--|---|
| 18 | 125 | 5 | 6 | 50 | | A R I C H I E S T A A T R E Q U E S T |
| 22 | 125 | 5 | 10 | 50 | | |
| | | | | | | |
| | | | | | | |
| | | | | | | |

W 23



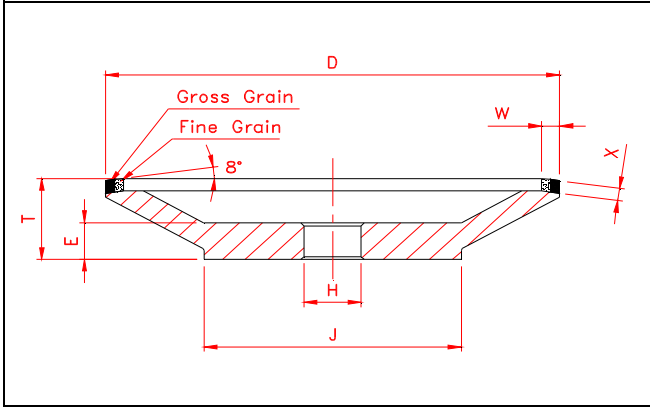
| T | D | W | X | J | | H |
|----|-----|---|---|----|--|---|
| 26 | 125 | 5 | 6 | 50 | | A R I C H I E S T A A T R E Q U E S T |
| | | | | | | |
| | | | | | | |
| | | | | | | |
| | | | | | | |

W 24



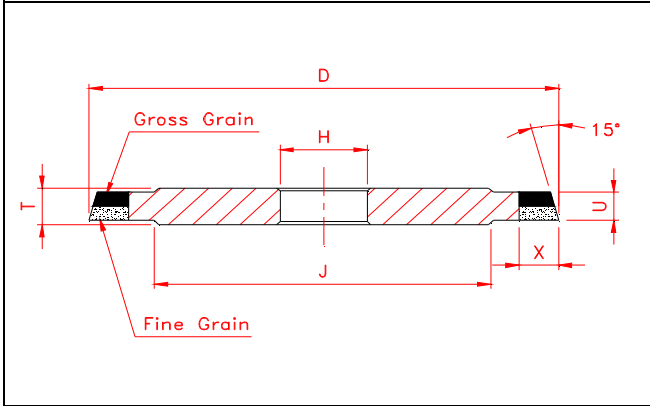
| T | D | W | X | | | H |
|----|-----|---|---|--|--|---|
| 20 | 100 | 5 | 6 | | | A R I C H I E S T A A T R E Q U E S T |
| | | | | | | |
| | | | | | | |
| | | | | | | |
| | | | | | | |

W 25



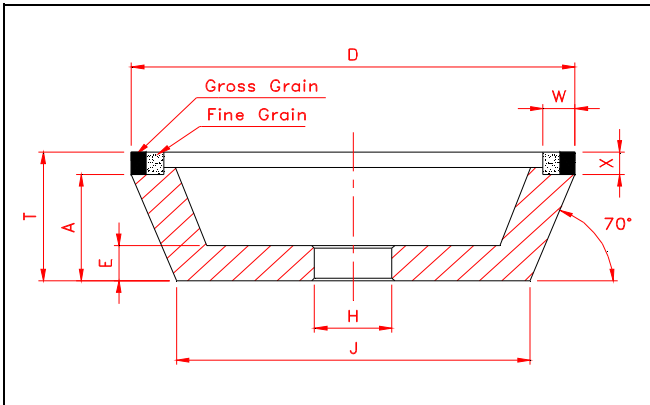
| T | D | W | X | J | | H |
|----|----|---|---|----|--|--|
| 20 | 75 | 5 | 4 | 40 | | A R I C H I E S T A |
| | | | | | | A T R E Q U E S T |
| | | | | | | |
| | | | | | | |
| | | | | | | |

W 26



| T | D | U | X | J | V | H |
|---|-----|---|---|----|-----|--|
| 8 | 125 | 5 | 7 | 90 | 15° | A R I C H I E S T A |
| | | | | | | A T R E Q U E S T |
| | | | | | | |
| | | | | | | |
| | | | | | | |

11AA9

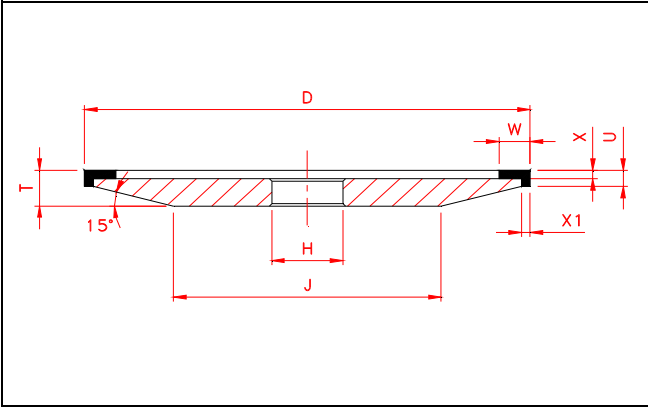


| T | D | W | X | E | J | H |
|----|---------|---|----|----|----|--|
| 30 | 100-125 | 5 | 6 | 10 | 78 | A R I C H I E S T A |
| 34 | 100-125 | 5 | 10 | 10 | 75 | A T R E Q U E S T |
| | | | | | | |
| | | | | | | |
| | | | | | | |



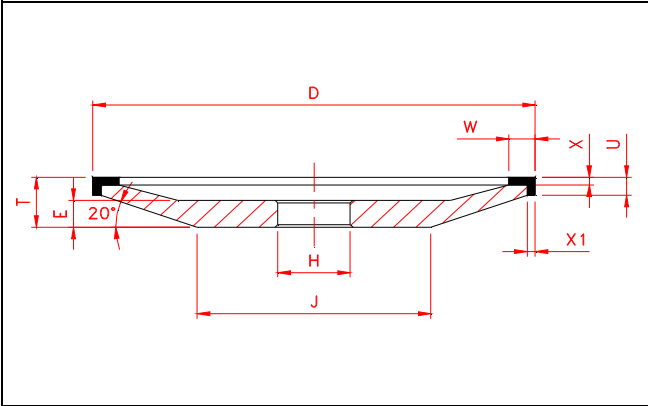
| | | | | | | H |
|--|--|--|--|--|--|--|
| | | | | | | A R I C H I E S T A |
| | | | | | | A T R E Q U E S T |
| | | | | | | |
| | | | | | | |
| | | | | | | |

4C9



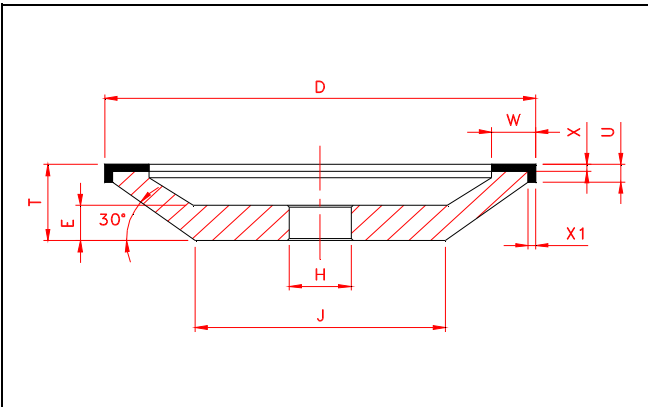
| T | D | W | X | U | X1 | H |
|---|-----|-----|-----|-----|----|---|
| | 100 | 5-6 | 2-3 | X+1 | ½X | A R I C H I E S T A A T R E Q U E S T |
| | 125 | 5-6 | 2-3 | X+1 | ½X | |
| | 150 | 5-6 | 2-3 | X+1 | ½X | |
| | 175 | 5-6 | 2-3 | X+1 | ½X | |
| | 200 | 5-6 | 2-3 | X+1 | ½X | |

12C9 20°



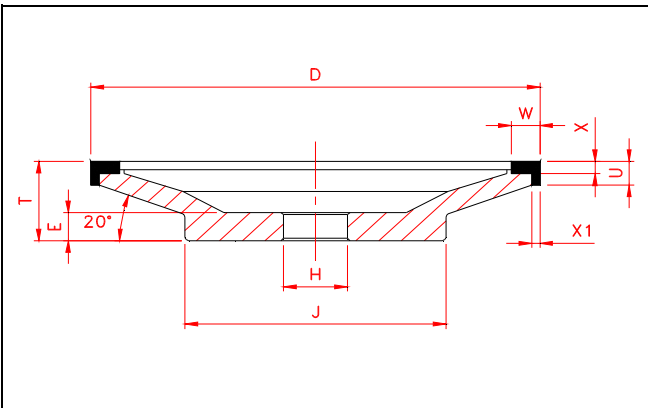
| T | D | W | X | U | X1 | H |
|---|-----|-----|-------|-----|----|---|
| | 100 | 5-6 | 2-3 | X+1 | ½X | A R I C H I E S T A A T R E Q U E S T |
| | 125 | 5-6 | 3-4-6 | X+1 | ½X | |
| | 150 | 5-6 | 3-4-6 | X+1 | ½X | |
| | 175 | 5 | 3-4 | X+1 | ½X | |

12C9 30°



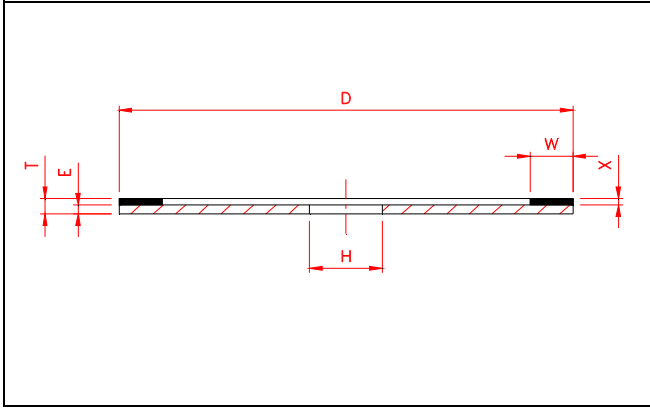
| T | D | W | X | U | X1 | H |
|---|-----|---|-------|-----|----|---|
| | 100 | 6 | 2-3 | X+1 | ½X | A R I C H I E S T A A T R E Q U E S T |
| | 125 | 6 | 3-4-6 | X+1 | ½X | |
| | 150 | 6 | 3-4-6 | X+1 | ½X | |

16C9 20°

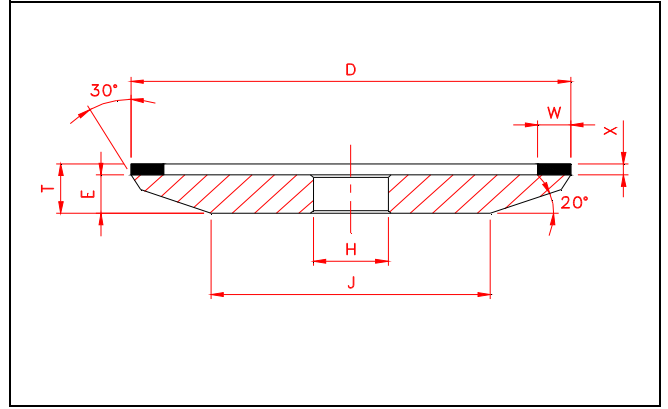


| T | D | W | X | U | X1 | H |
|----|-----|---|---|---|----|---|
| 13 | 100 | 5 | 3 | 4 | 1 | A R I C H I E S T A A T R E Q U E S T |
| 18 | 125 | 5 | 4 | 5 | 2 | |
| 20 | 150 | 5 | 4 | 5 | 2 | |

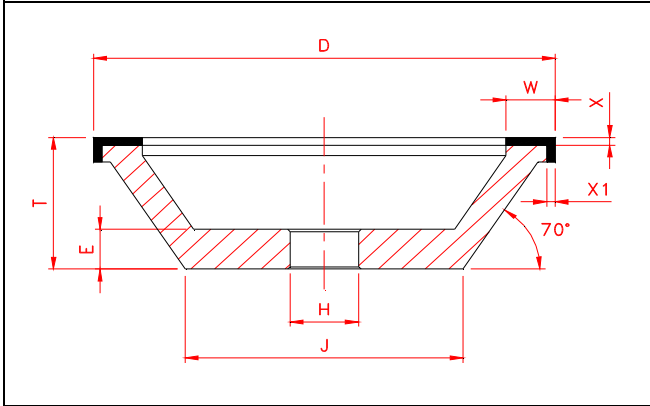
1A2



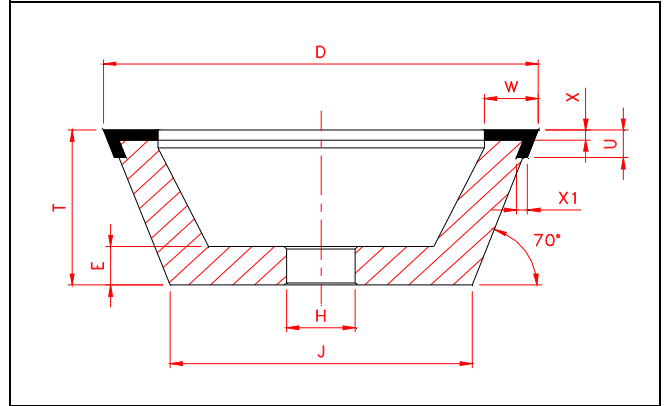
15A2



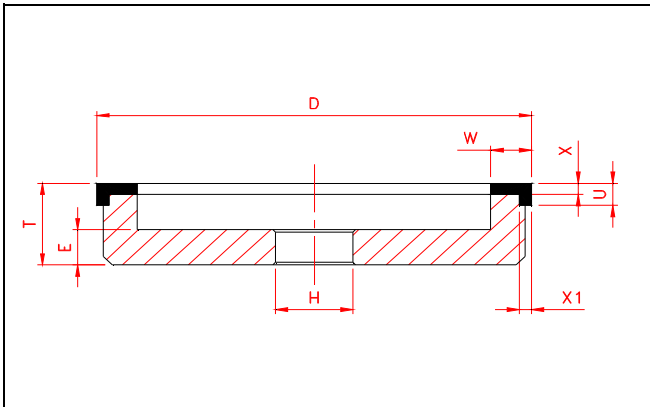
11C9



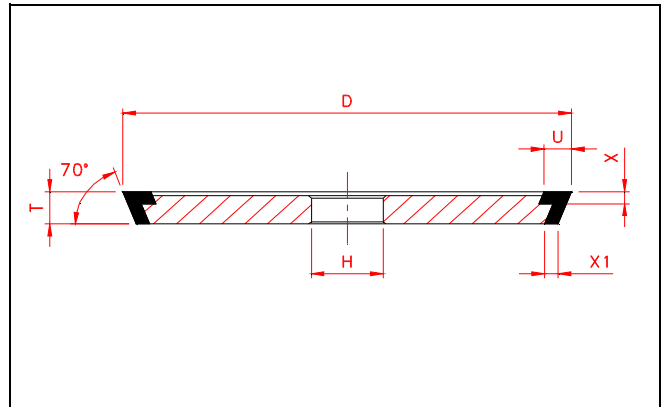
11BB9



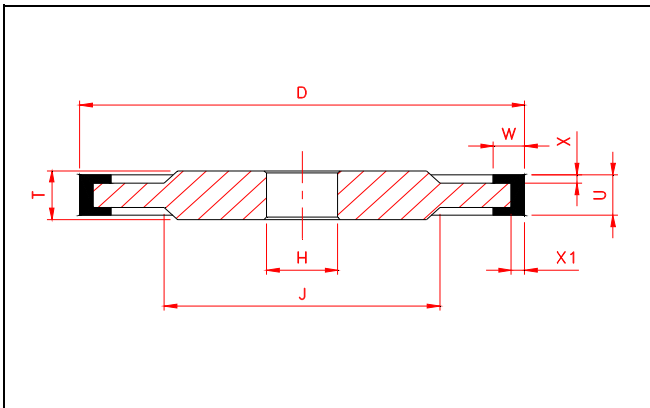
6C9



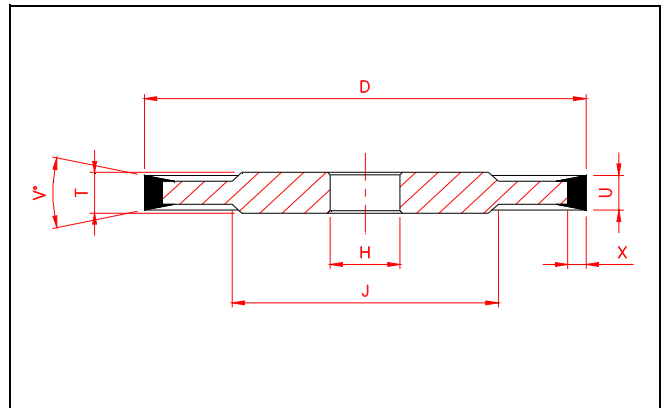
1BB9



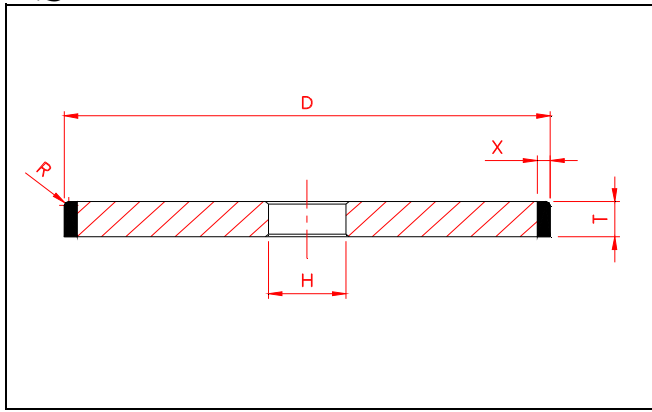
14U1



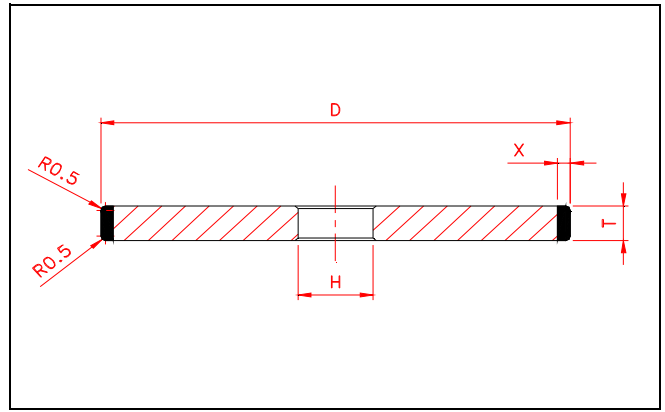
14D1V



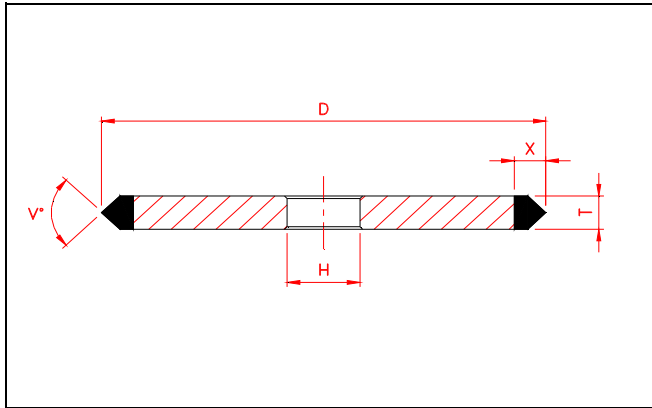
1Q1



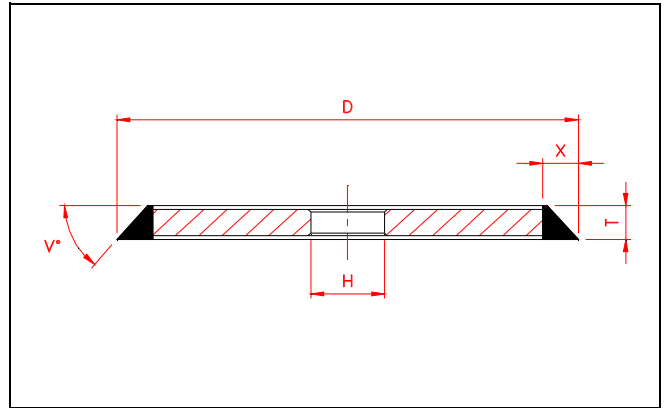
1L1



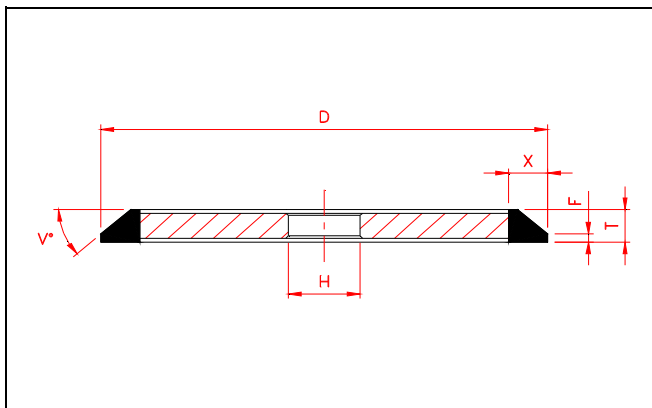
1E1



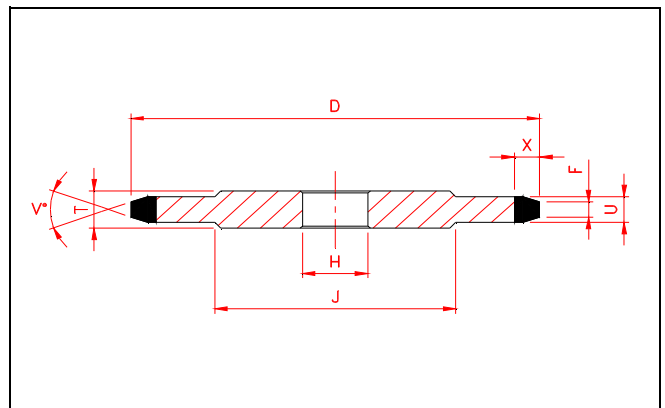
1B1



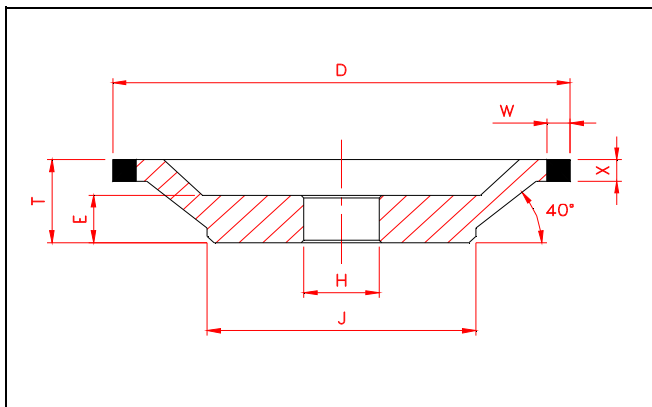
1M1



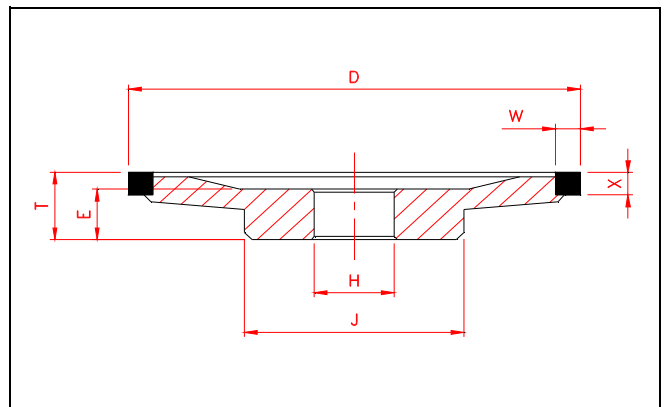
14D1



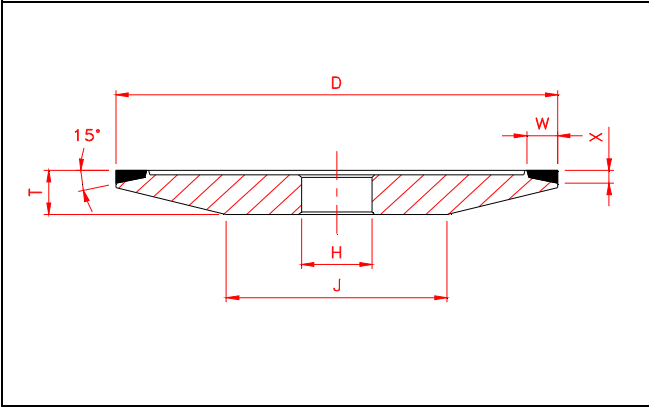
15A1



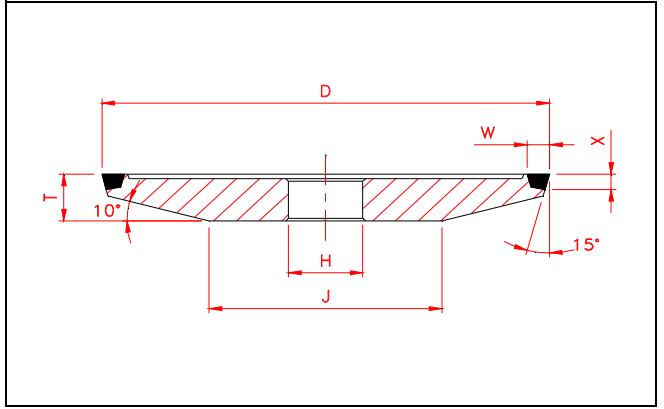
15A9



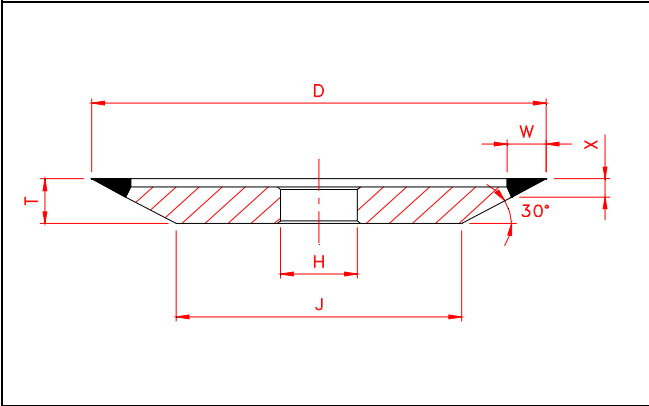
4B2



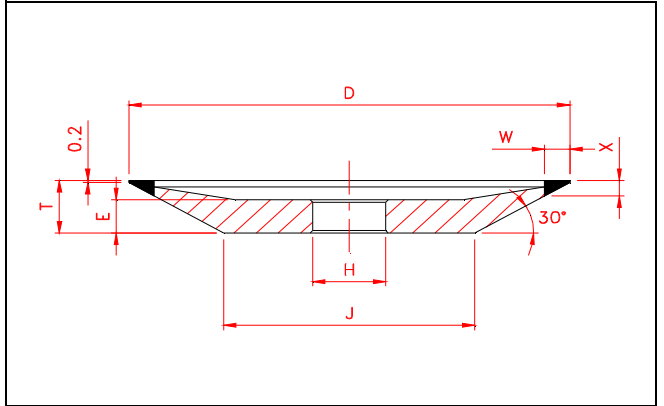
15B9V



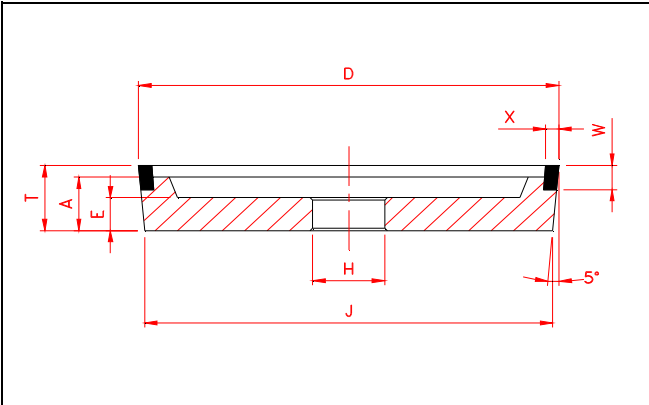
12MM2



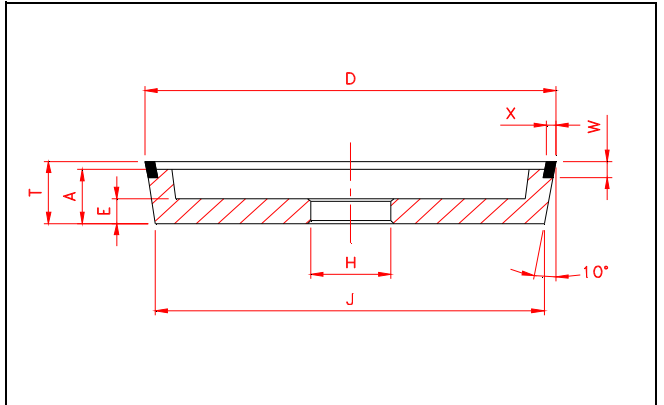
12K6



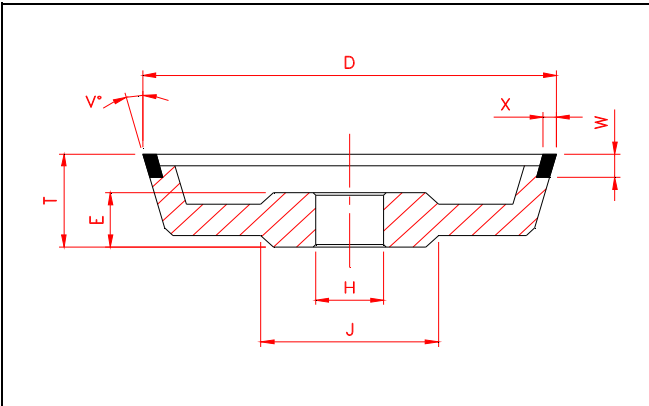
11V9 5°



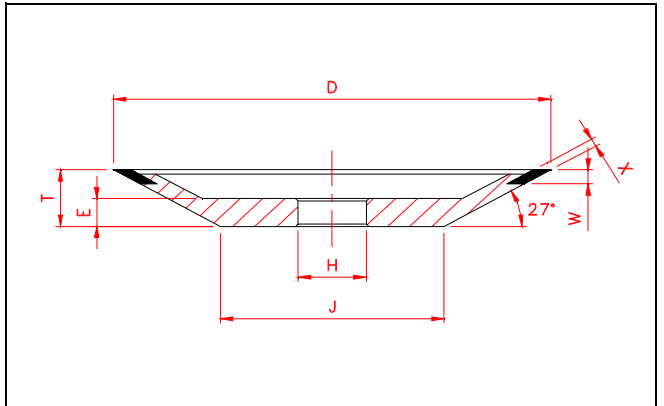
11V9 10°



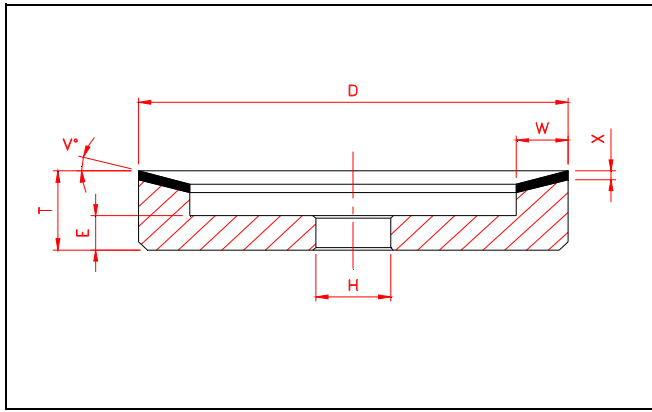
11V9 A



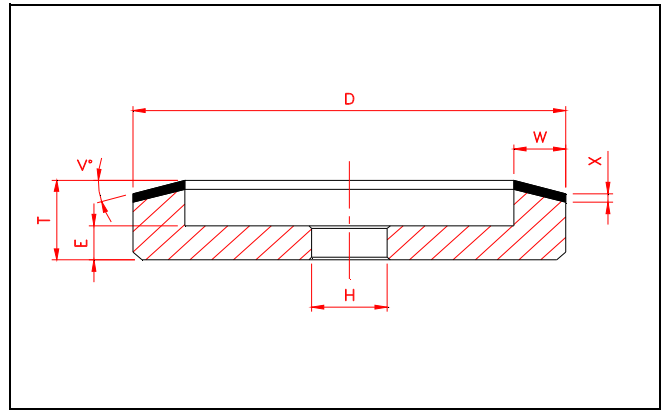
12V9 27°



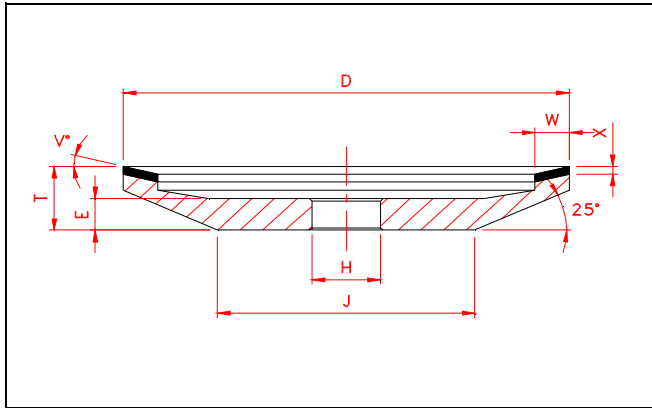
6V4



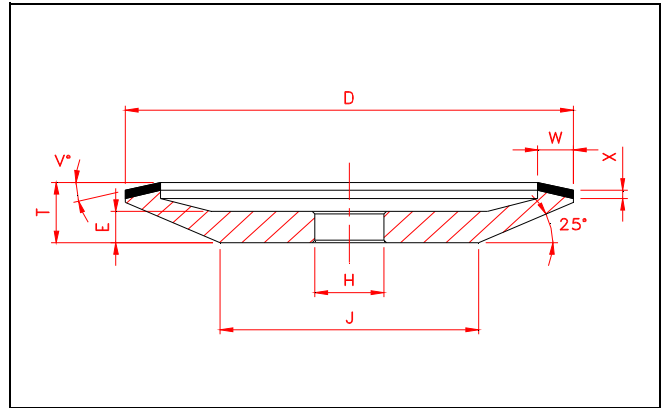
6V5



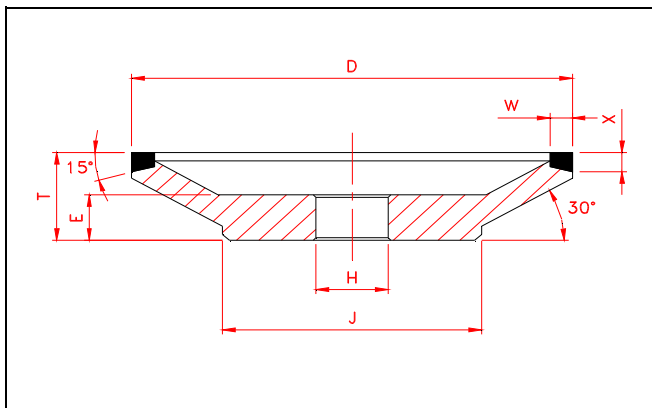
12V4



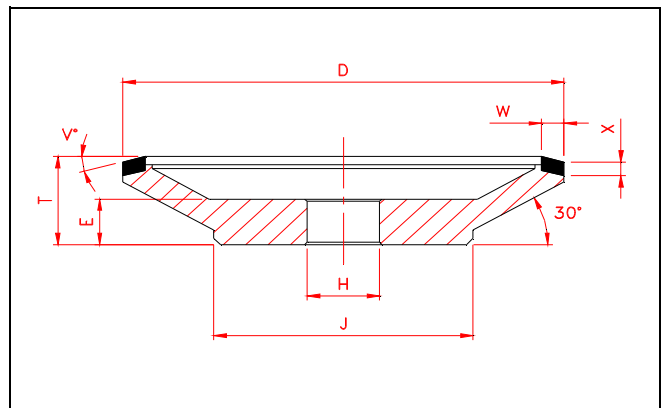
12V5



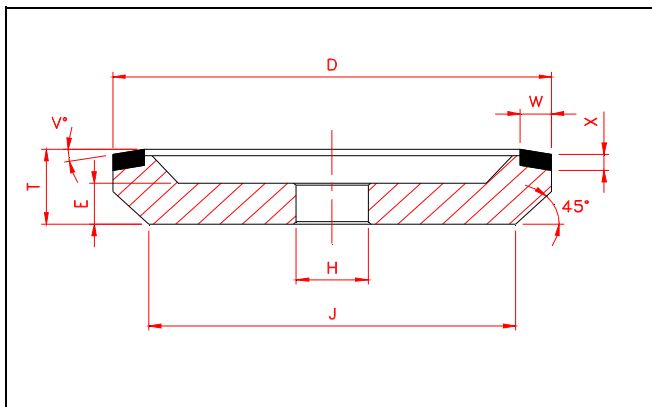
12B9



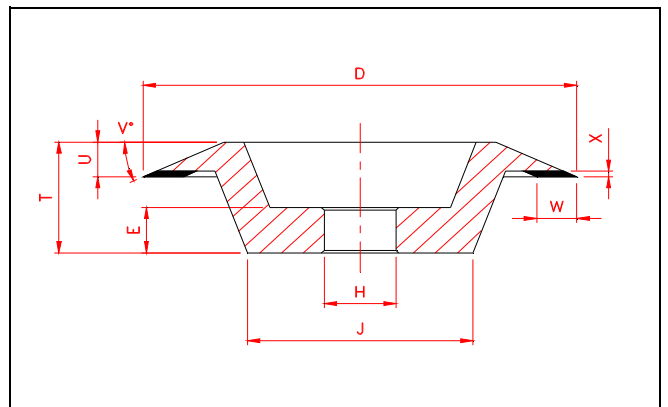
12V56



BV5

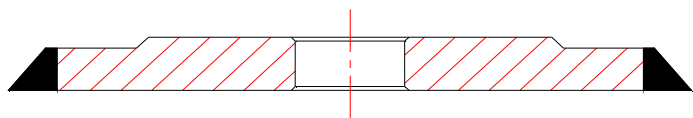


13V2

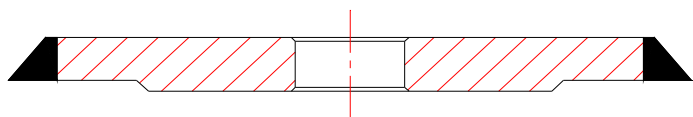


La differenza tra le seguenti forme e quelle tra parentesi è data dal mozzo su un lato della mola.

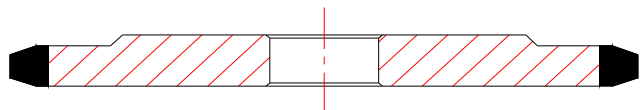
The difference between the following shapes and those in brackets is given by the hub on one side of the wheel.



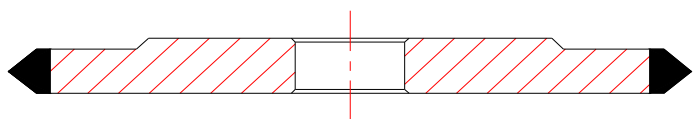
Type 3B1 (1B1 pag. 25)



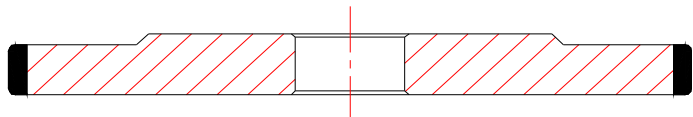
3B1T (1B1 pag. 25)



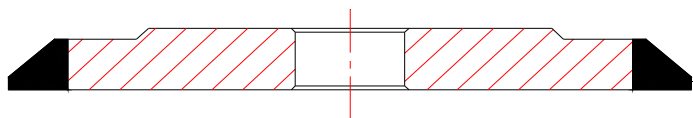
3D1 (14D1 pag. 25)



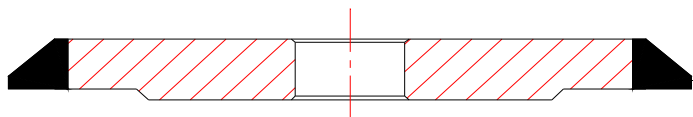
3E1 (14E1 pag. 13)



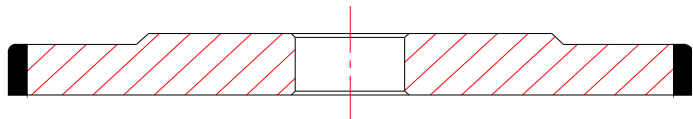
3L1 (1L1 pag. 25)



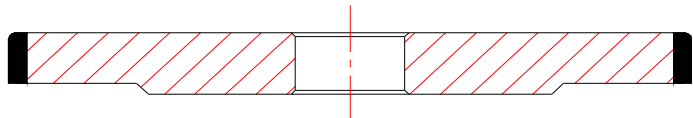
3M1 (1M1 pag. 25)



3M1T (1M1 pag. 25)



3Q1 (1Q1 pag. 25)



3Q1B (1Q1 pag. 25)